

	Page
- Wiring diagrams	1
- Key	48

The table below is necessary for correct identification of the versions of the Punto model.

PREVIOUS NAME OF THE VERSIONS	NEW NAME OF THE VERSIONS
F.	S - ED(*)
F. pack	SX
E.	EL
E. pack	ELX

(*) ECONOMY DRIVE: Version with 1108 engine and gear ratios the same as for the French market.

NAME	VERSIONS AND ENGINES														
	F			F PACK			E			E PACK			TURBO		
	1108 SPI	1242 MPI	1697 T.d.s EM.08	1108 SPI	1242 MPI	1697 T.d.s EM.08	1697 T.d.s USA 87	1108 SPI	1242 MPI	1697 T.d.s EM.08	1242 MPI	1697 T.d.s EM.08	1372		
Starting system - Electronic ignition and fuel injection - Recharging system and warning light - Low engine oil pressure warning light - Fuel injection fault warning light - Rev counter	30	30	31	30	30	31		30	31		31		32		
Version with automatic transmission: Starting system - Electronic ignition and fuel injection - Recharging and warning light - Low engine oil pressure warning light - Fuel injection fault warning light - Rev counter					35										
Starting system - Plug preheating system and warning lamp - Recharging system and warning light - Heated fuel filter (P.T.C.) - Cold fuel injection automatic advance (K.S.B.) - Low engine oil pressure warning light - Maximum turbo boost pressure warning light - Rev counter						33				33		33			
Starting system - Plug preheating system and warning lamp - Recharging system and warning light - Heated fuel filter (P.T.C.) - Cold automatic fuel injection advance (K.S.B.) - E.G.R. electronic control unit - Low engine oil pressure warning light - Maximum turbo boost pressure warning light - Rev counter							34								
Side lights and warning lamp - Dipped beam headlamps - Main beam headlamps and warning light - Headlamp flasher - Number plate lights	1	1	1	1	1	1	1	1	1	1	1	1	8	8	
Direction indicators and warning lamp - Hazard warning lights and warning lamp - Reversing lights - Stop lights	2	2	2	2	2	2	2	2	2	2	2	2	9	9	
Front fog lamps and warning light - Rear fog lamps and warning light	3	3	3	3	3	3	3	3	3	3	3	3	10	10	
Windscreen wiper - Rear window wash/wipe - Windscreen and rear window washer pump - Electric horns - Heated rear window and warning light	4	4	4	4	4	4	4	4	4	4	4	4	11	11	
Car radio - Courtesy light - Symbol illumination	5	5	5	5	5	5	5	5	5	5	5	5	12	12	
Fuel level gauge and reserve warning light - Low brake fluid level and handbrake warning lamp - Water temperature gauge - Brake pad wear warning light - Low engine oil pressure warning light - Water in fuel filter warning light - Clock - Rev counter - Speedometer - Engine oil pressure gauge -	6	6	6	6	6	6	6	6	6	6	6	6	36	37	37
Engine cooling system - Car interior ventilation - Water temperature gauge - Cigar lighter -	7	7	7	7	7	7	7	7	7	7	7	7	7	7	
Version with air conditioner: Engine cooling system - Car interior ventilation - Water temperature gauge - Cigar lighter													13	13	14

NOTE The numbers on the table correspond to the page numbers in the electrical system section of the manual.

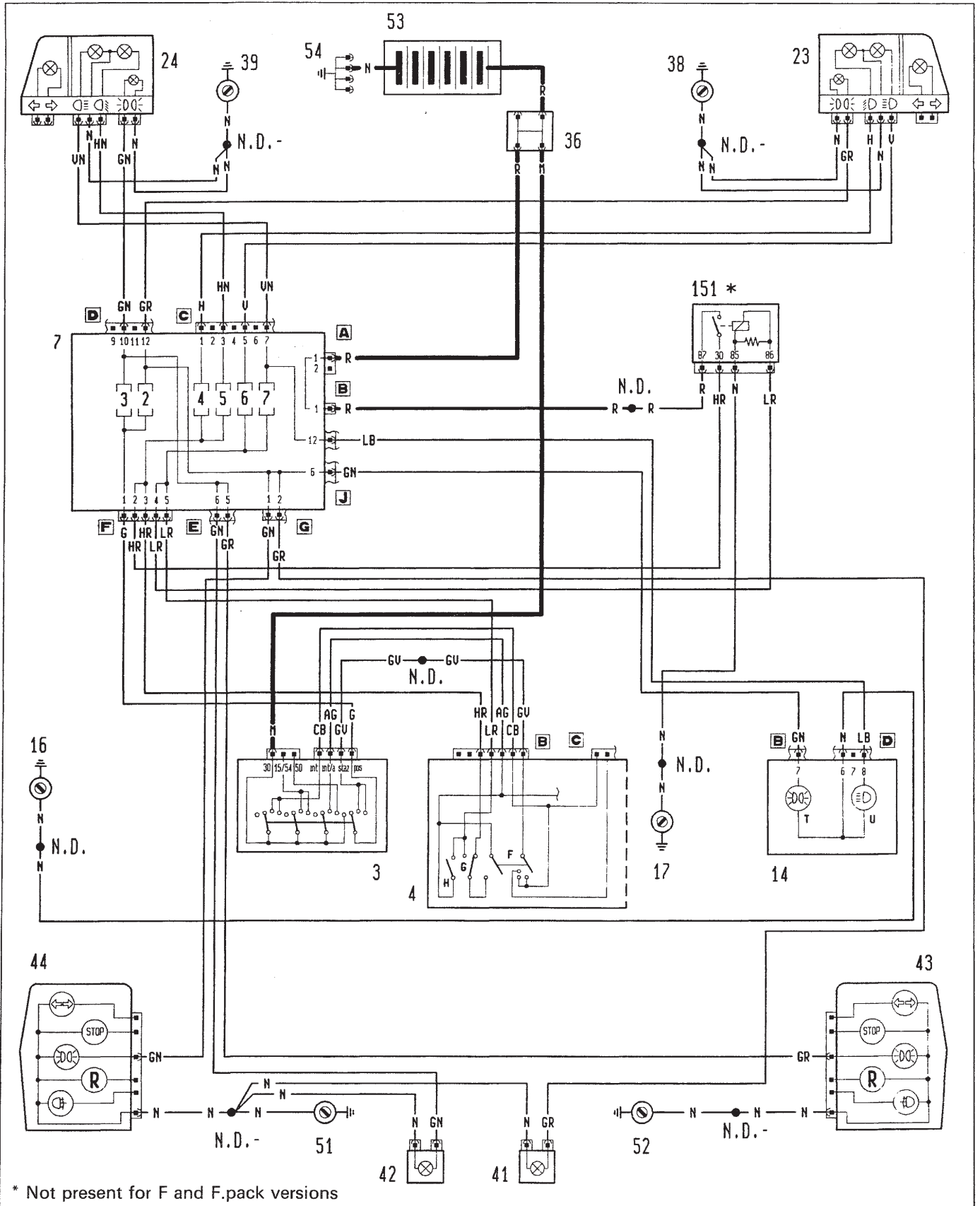
Cont. >

NAME	VERSIONS AND ENGINES													
	F			F PACK			E			E PACK			TURBO	
	1108 SPI	1242 MPI	1697 T.d.s EM.08	1108 SPI	1242 MPI	1697 T.d.s EM.08	1108 SPI	1242 MPI	1697 T.d.s USA 87	1108 SPI	1242 MPI	1697 T.d.s EM.08	1242 MPI	1697 T.d.s EM.08
Windscreen wiper - Rear window wash/wipe - Windscreen and rear window washer pump - Electric horns - Heated rear window and warning light - Headlamp washer														1372
Electric front windows				17	17	17	17	17	17	17	17	17	17	18
Central door locking system - Doors open warning light				19	19	19	19	19	19	19	19	19	19	20
Anti-lock braking system and system failure warning light (A.B.S. 2SH)							21	21	21					21
Headlamp alignment device				22	22	22	22	22	22	22	22	22	22	23
Electrically-adjustable heated exterior rearview mirrors														24
Electric sunroof												25	25	25
Air Bag system and fault warning light	26	26	26	26	26	26	26	26	26	26	26	26	26	26
Northern Europe version: Heated driver's seat					27							27		27
Junction unit	28	28	28	28	28	28	28	28	28	28	28	28	28	28
Junction unit (optional devices)														29
Air conditioner							38	38	39			38	38	40
Automatic transmission and warning light					41									
Petrol version: Anti-theft device	42	42	42	42	42	42	42	42	42	42	42	42	42	42
TD version: Anti-theft device									43		43			
Petrol version: Connection to instrument panel	44	44	44											
Petrol version: Instrument panel connection				45	45	45	45	45	45	45	45	45	45	47
TD version: Instrument panel connection							46	46					46	

NOTE: The numbers on the table correspond to the page numbers in the electrical system section of the manual.

Version: F - F.pack - E

Side lights and warning lamp - Dipped beam headlamps - Main beam headlamps and warning light - Headlamp flasher - Number plate lights - (see key following diagrams)

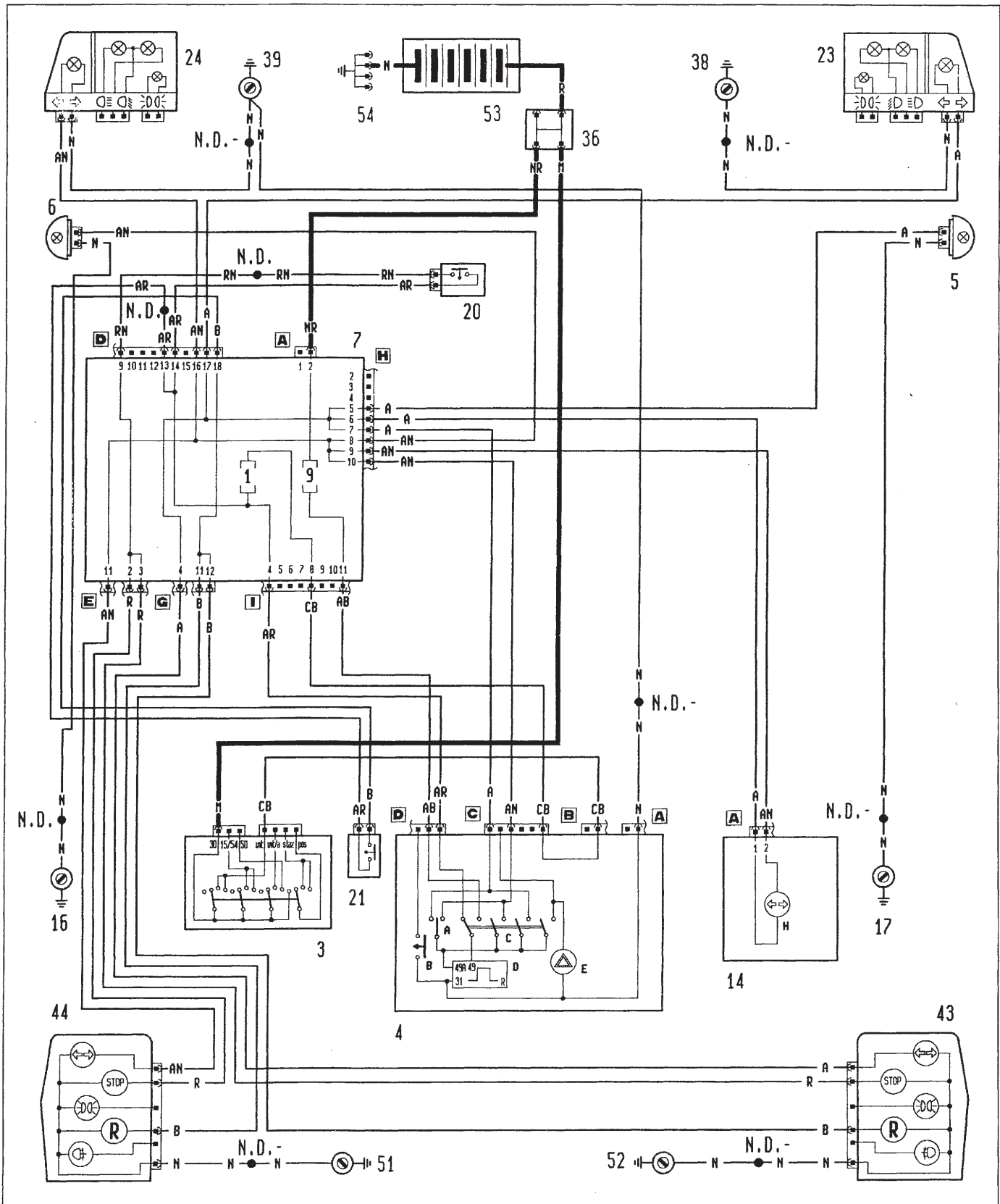


Wiring diagrams

55.

Version: F - F.pack - E

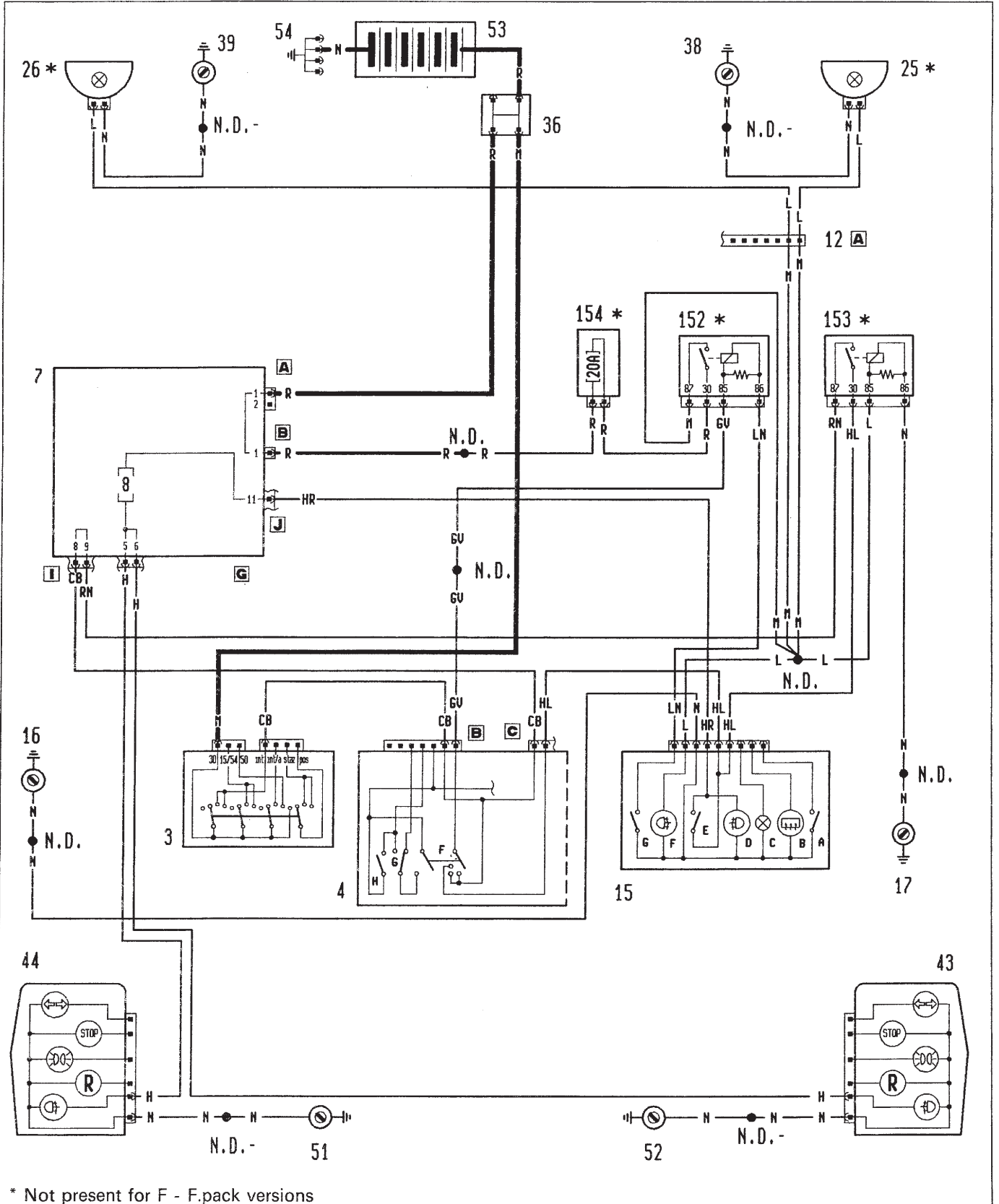
Direction indicators and warning lamp - Hazard warning lights and warning lamp - Reversing lights - Stop lights - (see key following diagrams)



P3M02ZL01

Version: F - F.pack - E

Front fog lamps and warning light - Rear fog lamps and warning light - (see key following diagrams)



P3M03ZL01

Electrical system

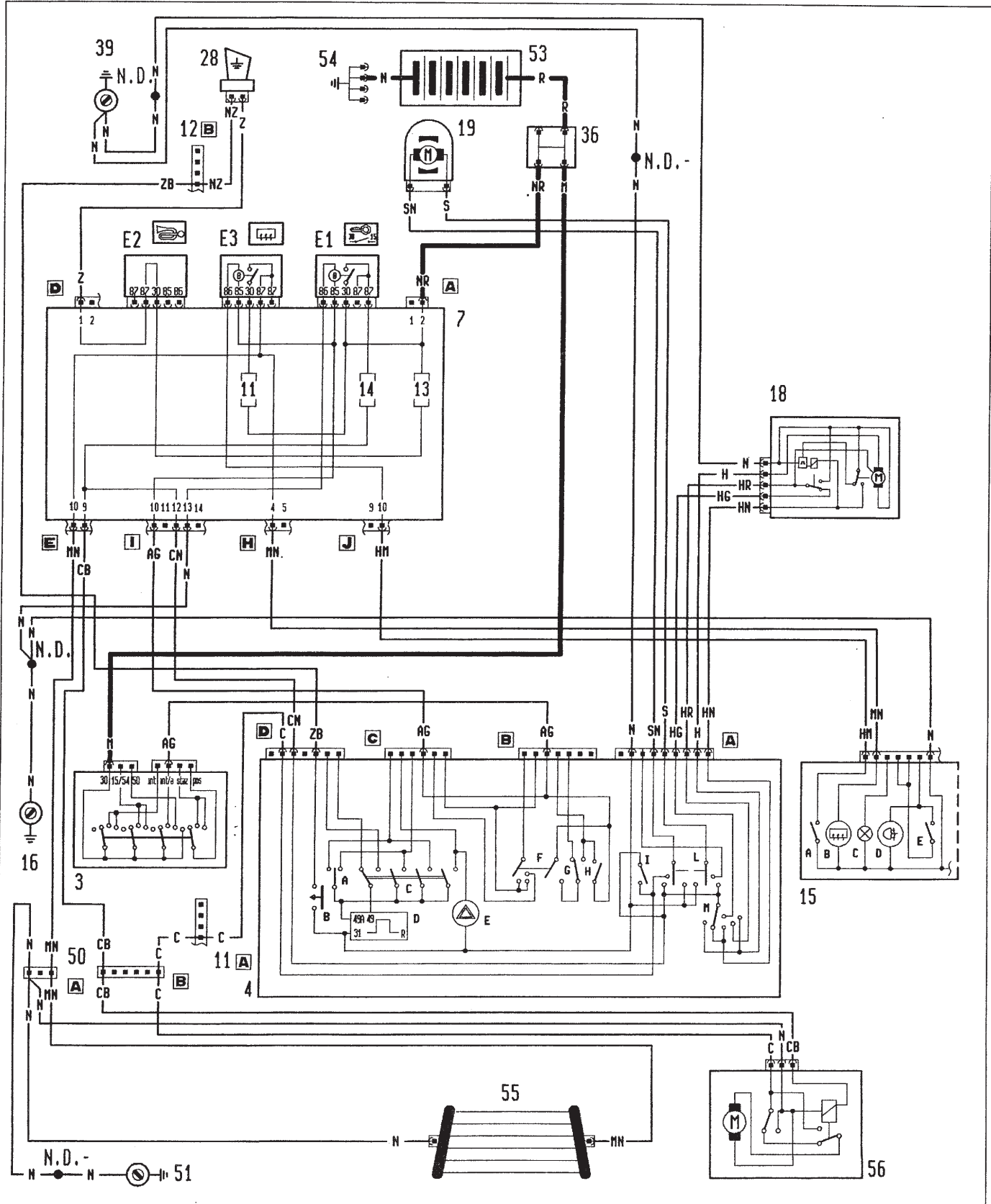
Punto

Wiring diagrams

55.

Version: F - F.pack - E

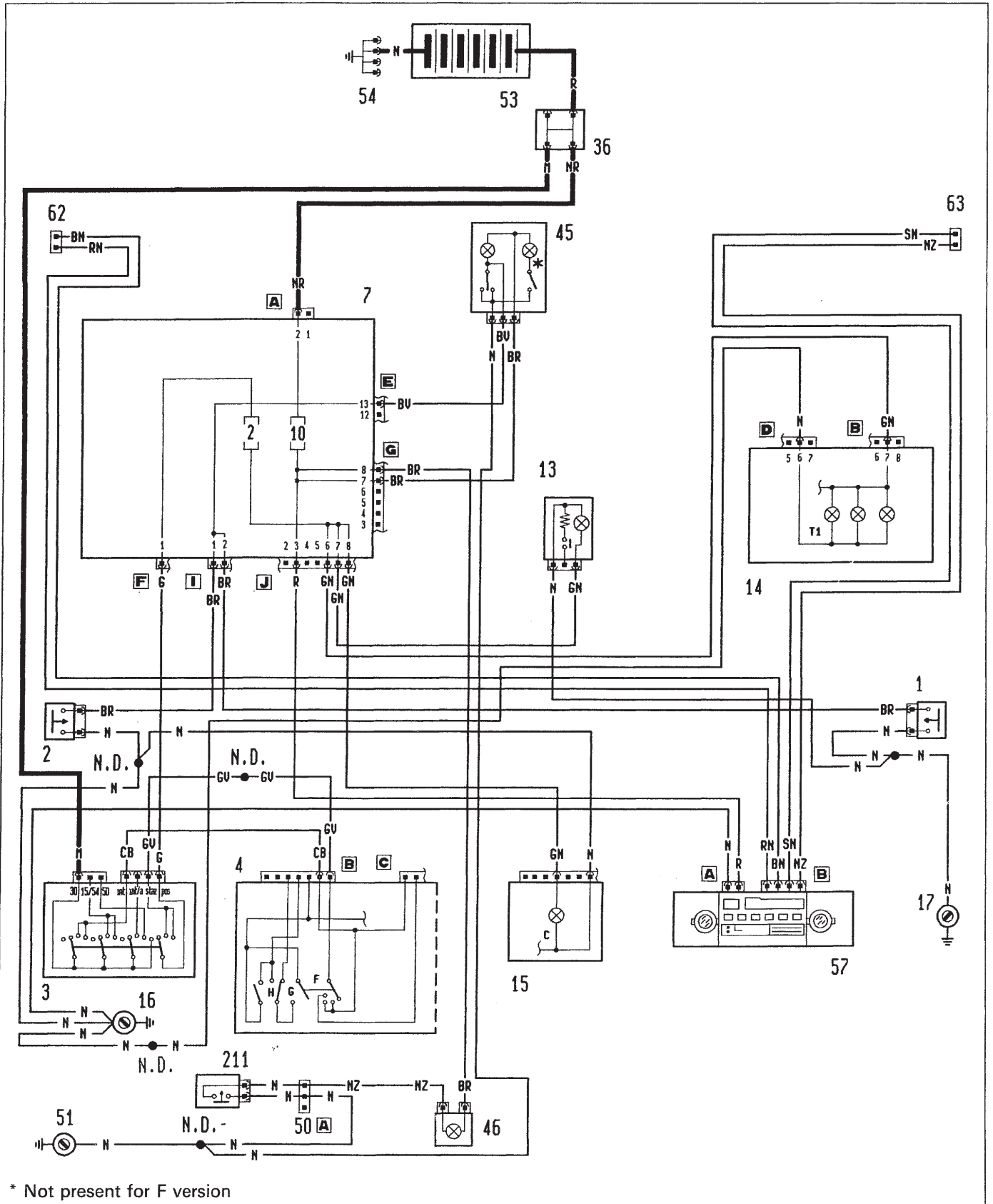
Windscreen wiper - Rear window wash/wipe - Windscreen and rear window washer pump - Electric horns - Heated rear window and warning light - (see key following diagrams)



P3M042L01

Version: 1108 1242 F - 1108 1697 TD F.pack - 1108 SPI E

Car radio - Courtesy light - Symbol illumination - (see key following diagrams)



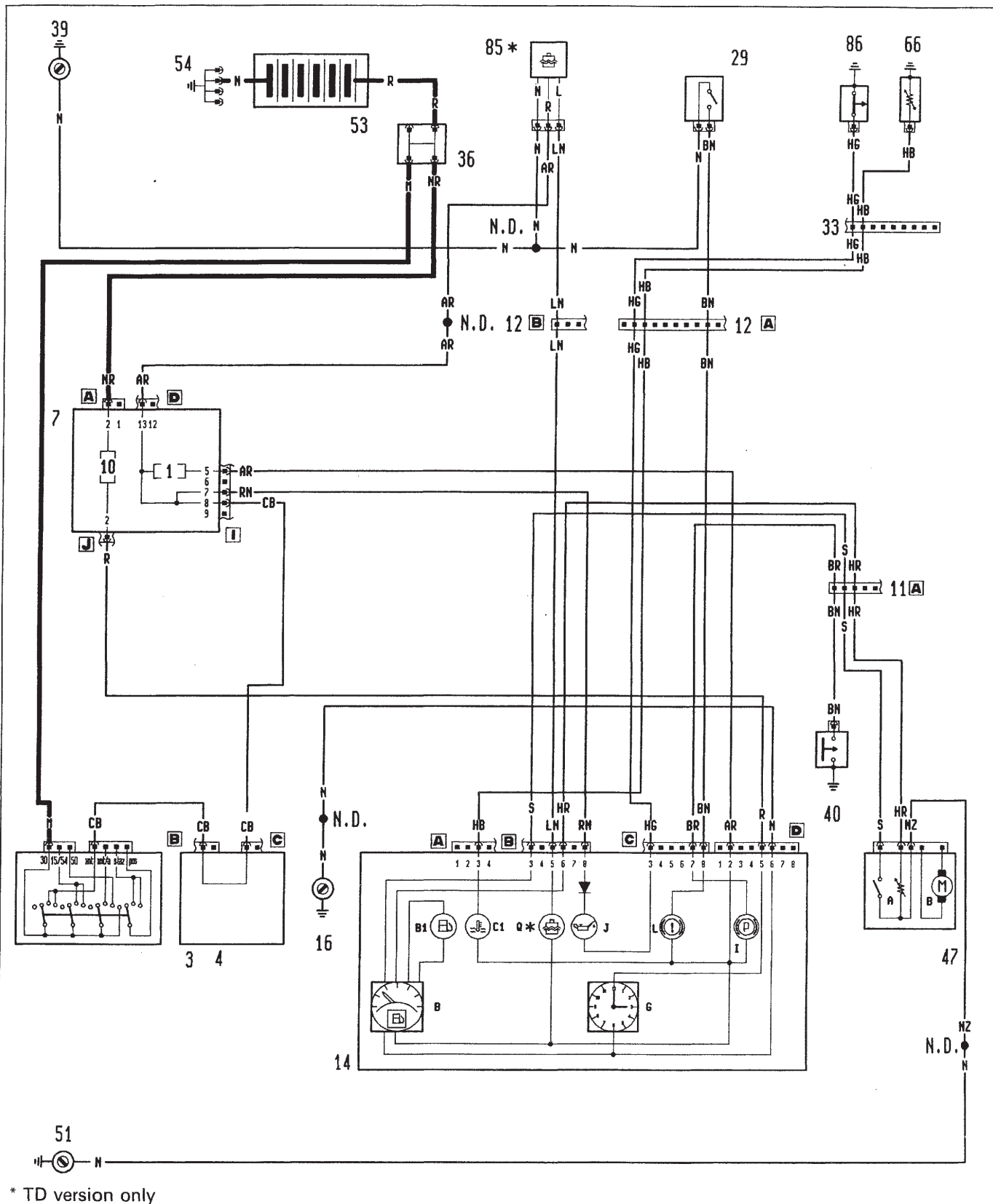
P3M05ZL01

Wiring diagrams

55.

Version: F

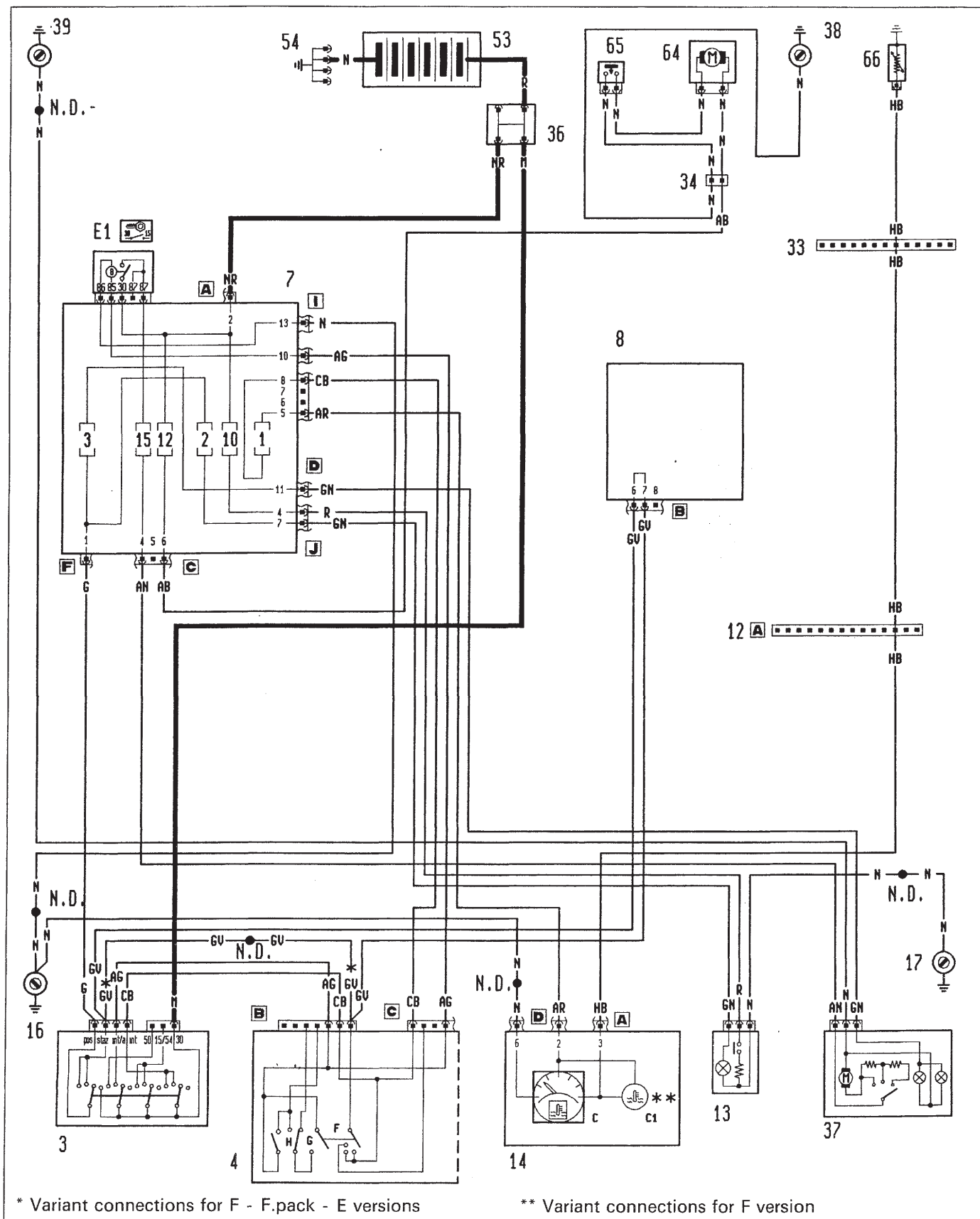
Fuel level gauge and reserve warning light - Low brake fluid level warning light - Handbrake warning light - Coolant overheating warning light - Low engine oil pressure warning light - Water in fuel filter warning light - Clock - (see key following diagrams)



P3M06ZL01

Version without air conditioner: All

Engine cooling system - Car interior ventilation - Water temperature gauge - Cigar lighter - (see key following diagrams)

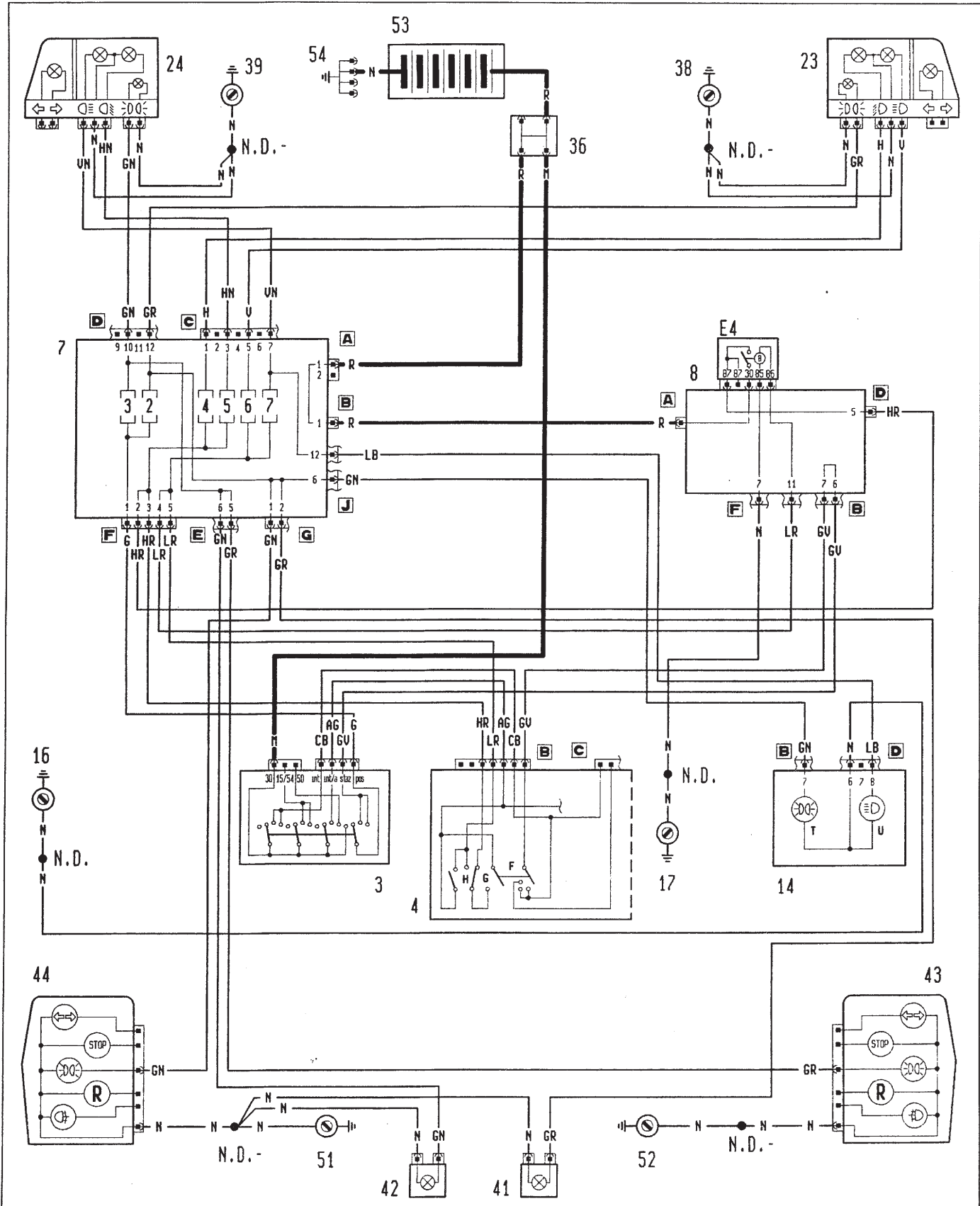


P3M07ZL01

55.

Version: E.pack - 1372 MPI turbo

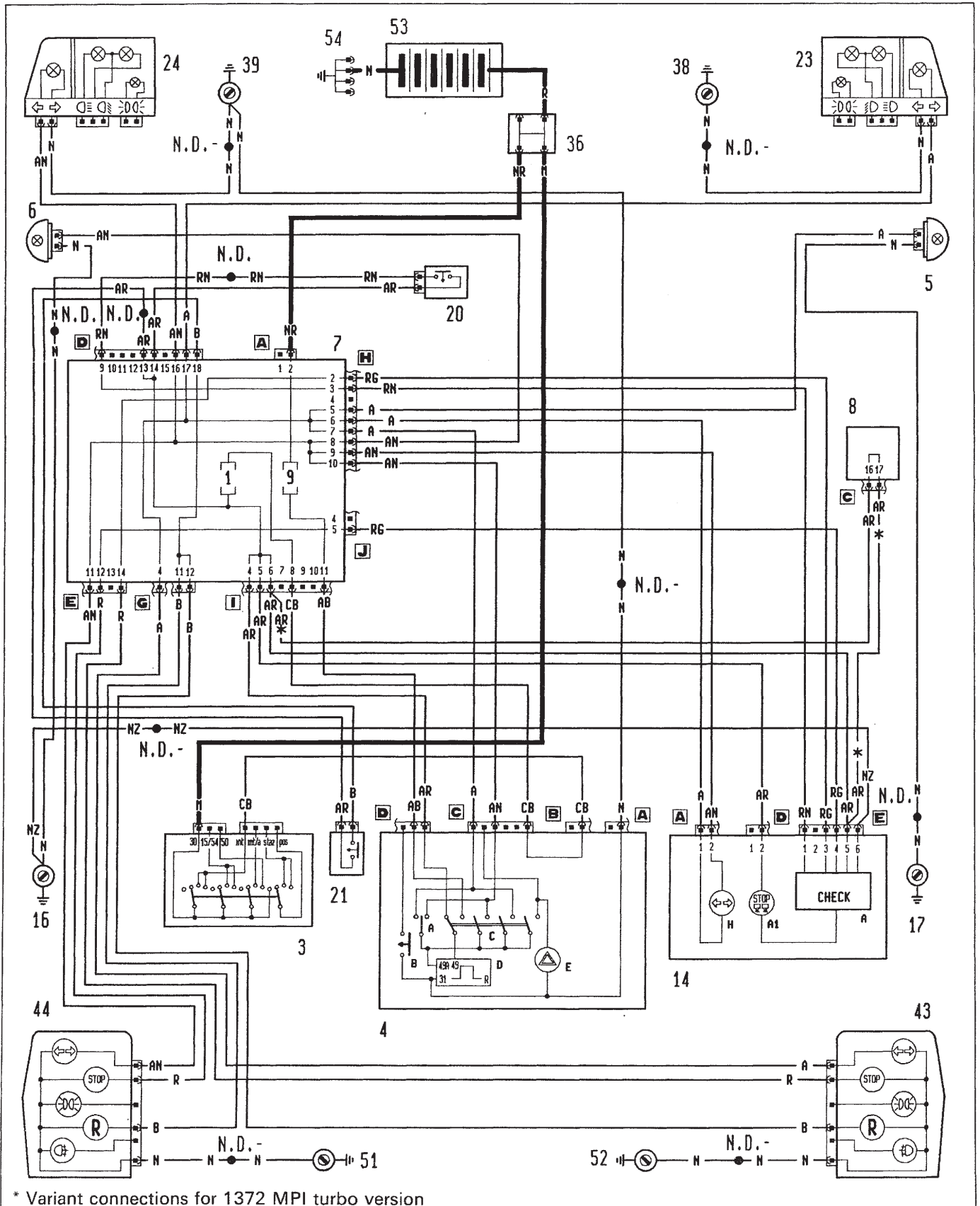
Side lights and warning lamp - Dipped beam headlamps - Main beam headlamps and warning light - Headlamp flasher - Number plate lights - (see key following diagrams)



P3M08ZL01

Version: E.pack - 1372 MPI turbo

Direction indicators and warning lamp - Hazard warning lights and warning lamp - Reversing lights - Stop lights and fault warning light (check) - (see key following diagrams)



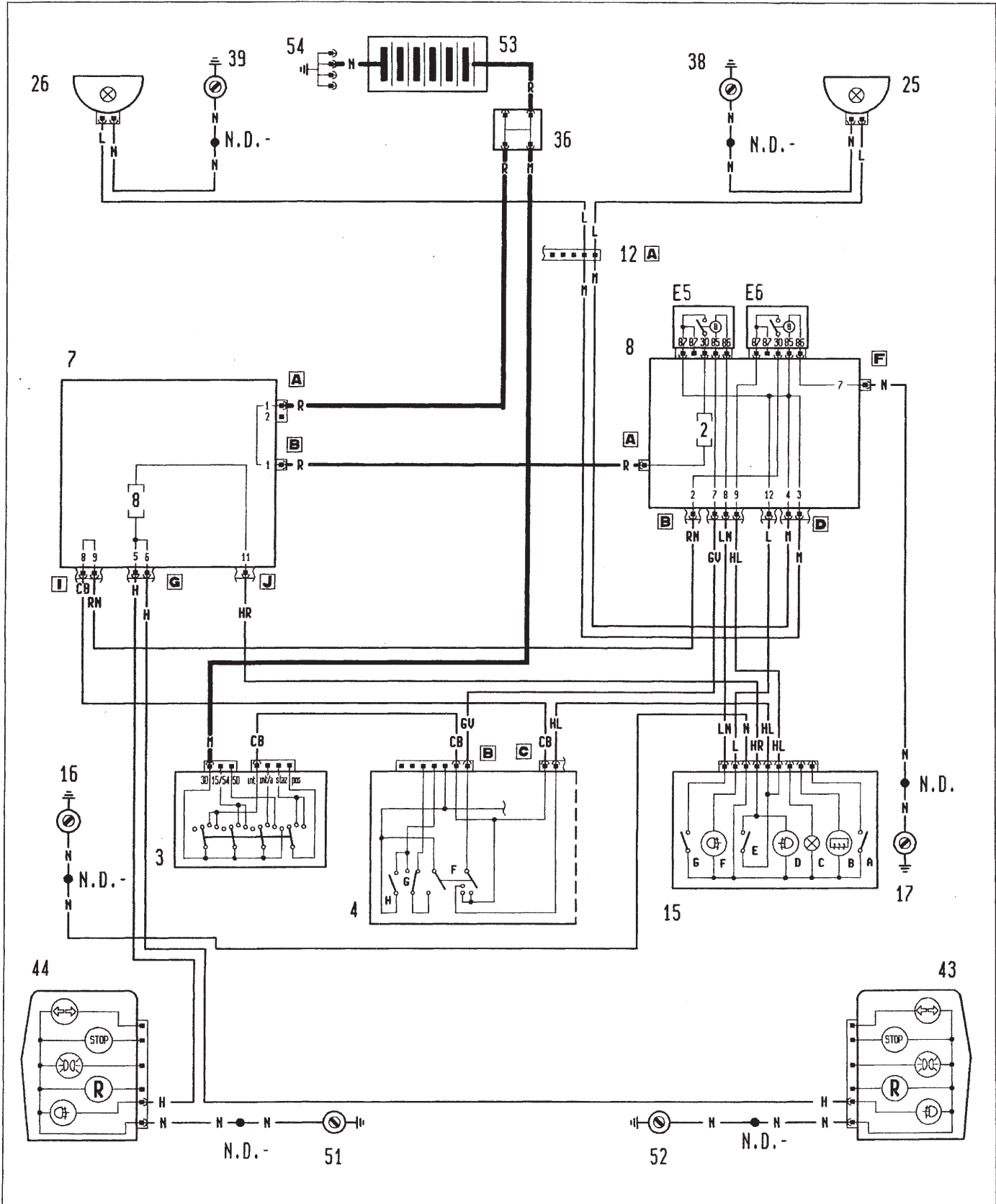
* Variant connections for 1372 MPI turbo version

P3M09ZL01

55.

Version: E.pack - 1372 MPI turbo

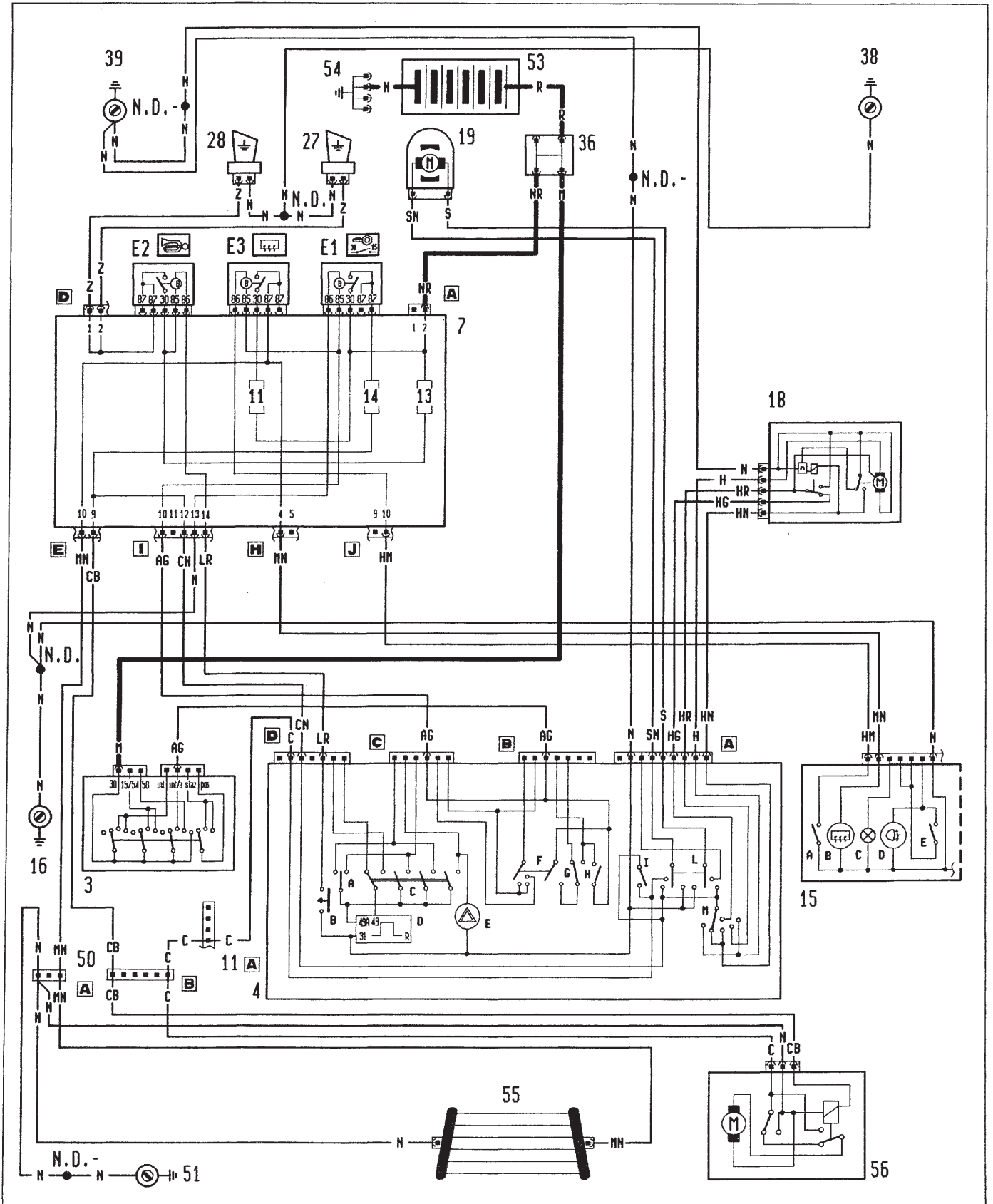
Front fog lamps and warning light - Rear fog lamps and warning light - (see key following diagrams)



P3M10ZL01

Version: E - E.pack -

Windscreen wiper - Rear window wash/wipe - Windscreen and rear window washer pump - Electric horns - Heated rear window and warning light - (see key following diagrams)

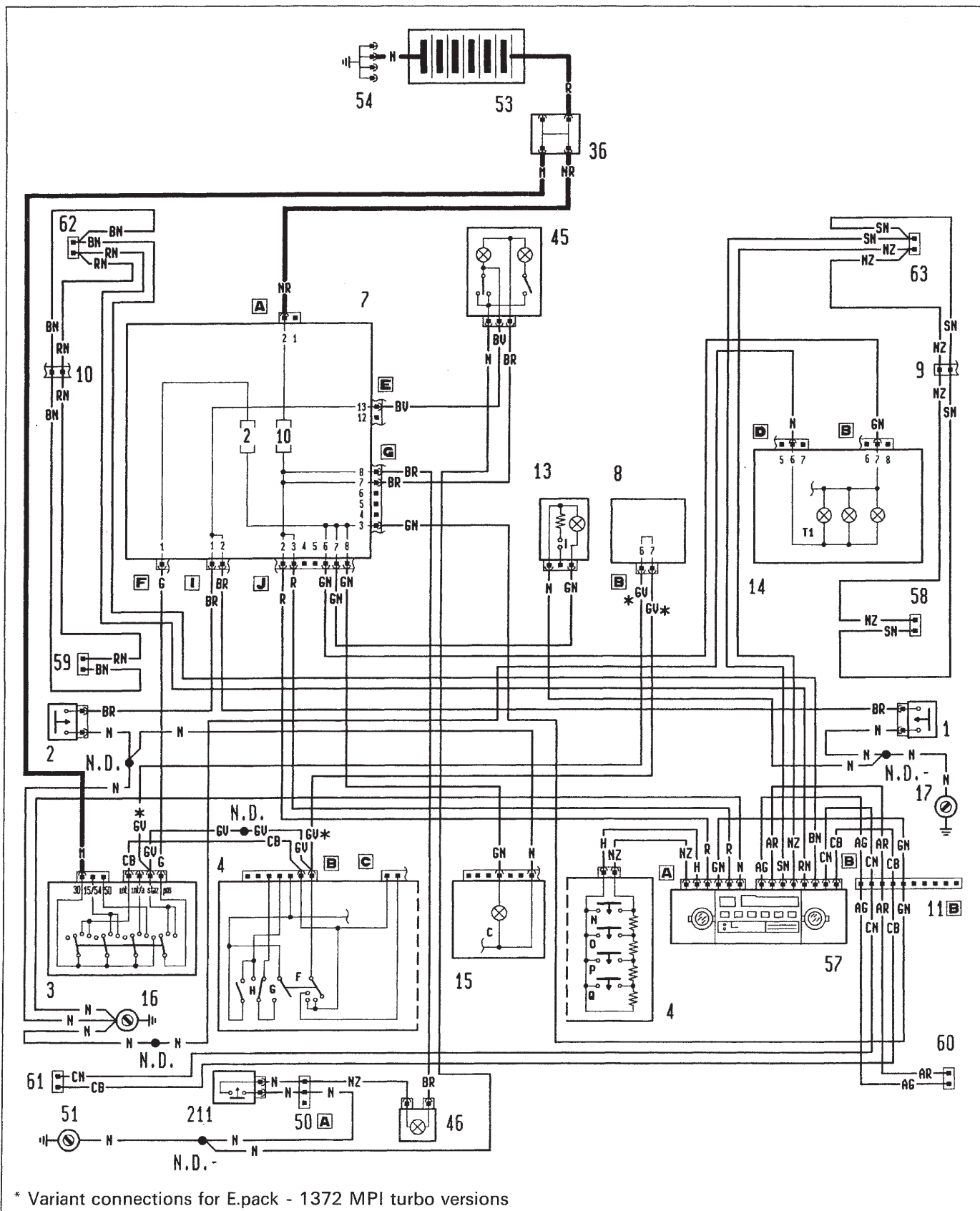


P3M11ZL01

Wiring diagrams

55.

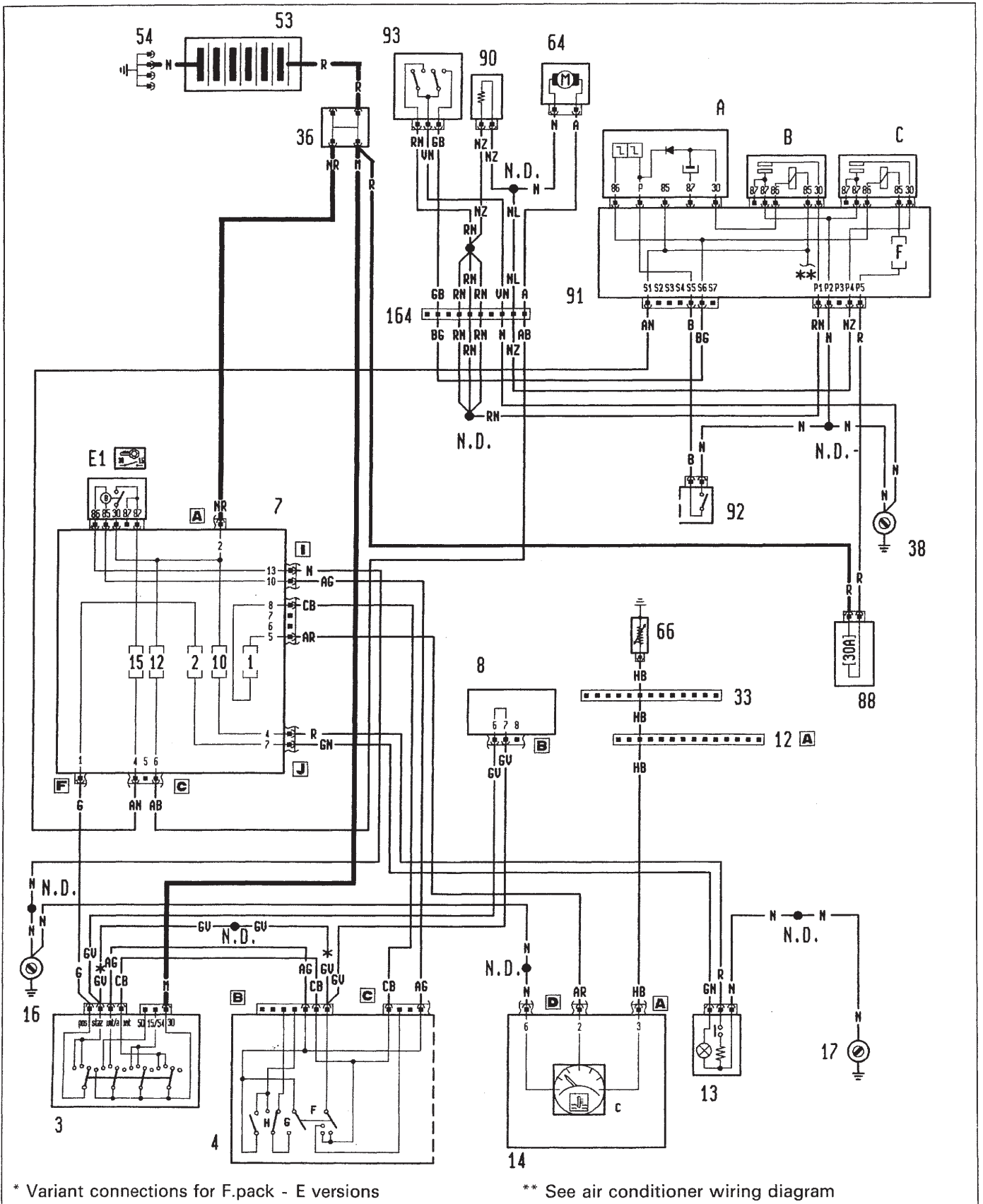
Version: 1242 1697 TD (3p) F.pack - 1242 MPI E - E.pack - 1372 MPI turbo
Car radio - Courtesy light - Symbol illumination - (see key following diagrams)



P3M12ZL01

Petrol version with air conditioner: F.pack - E - E.pack

Engine cooling system - Car interior ventilation - Water temperature gauge - Cigar lighter - (see key following diagrams)

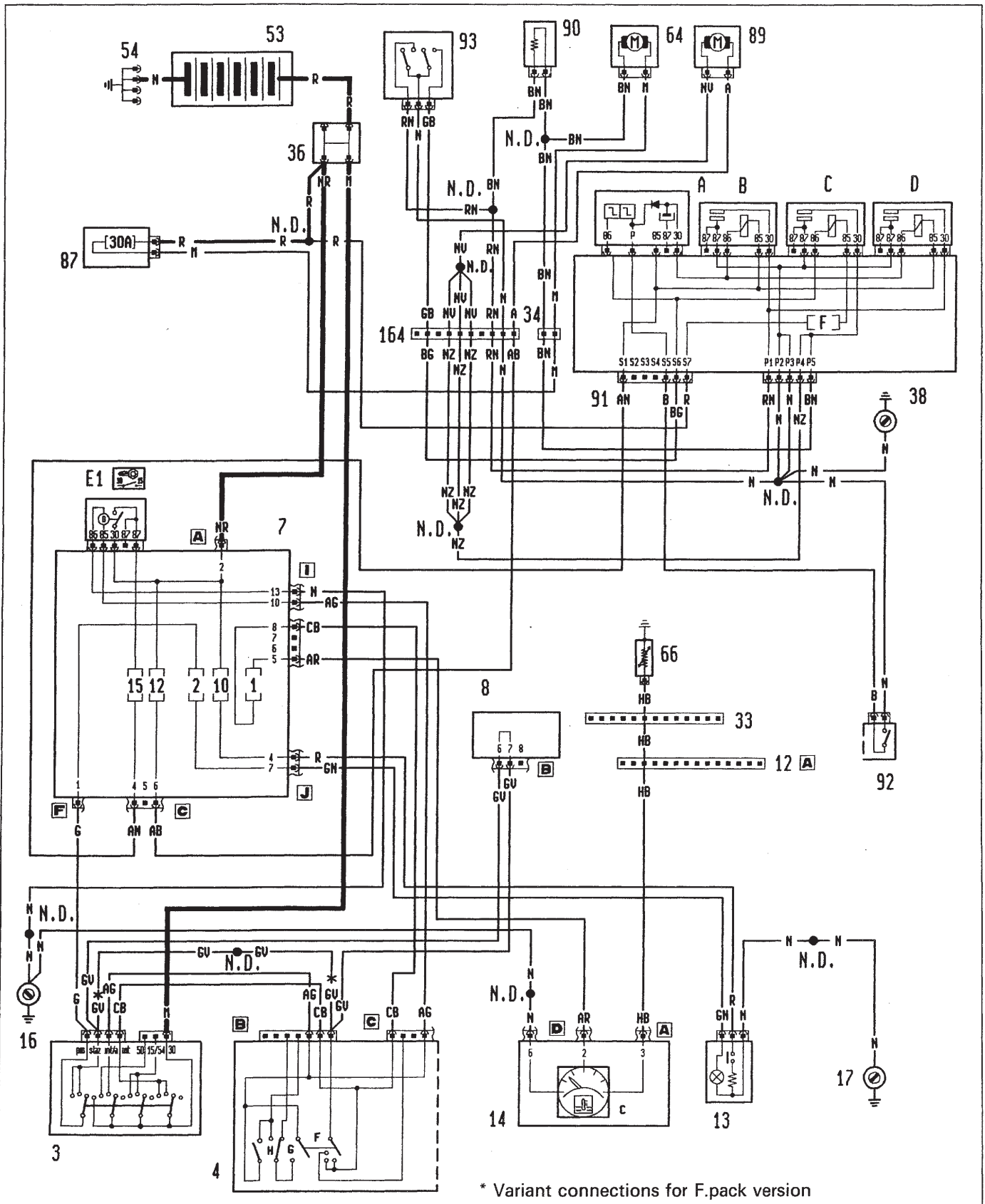


P3M13ZL01

55.

TD version with air conditioner: F.pack - E.pack

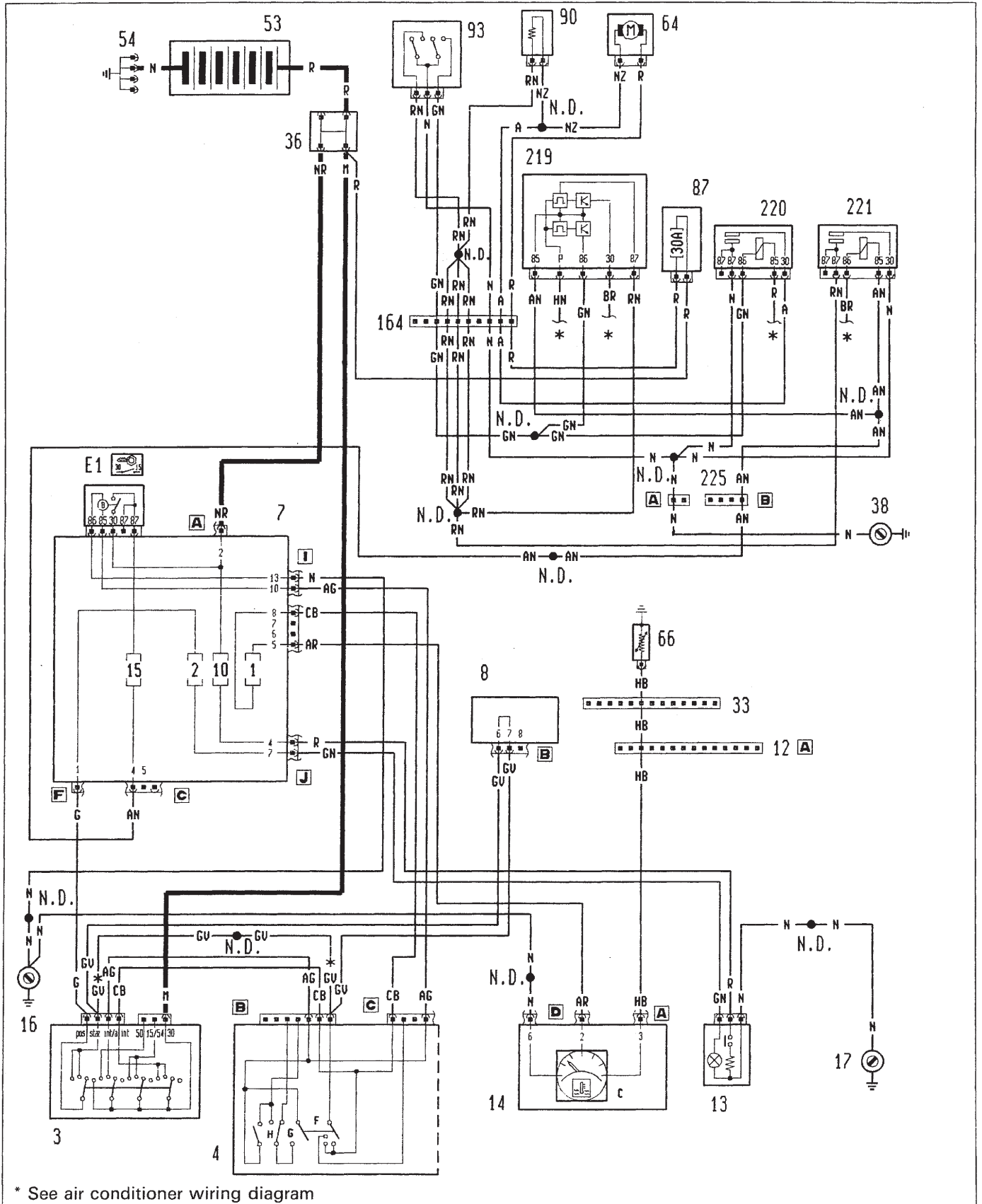
Engine cooling system - Car interior ventilation - Water temperature gauge - Cigar lighter - (see key following diagrams)



P3M14ZL01

Version with air conditioner: 1372 MPI turbo

Engine cooling system - Car interior ventilation - Water temperature gauge - Cigar lighter - (see key following diagrams)

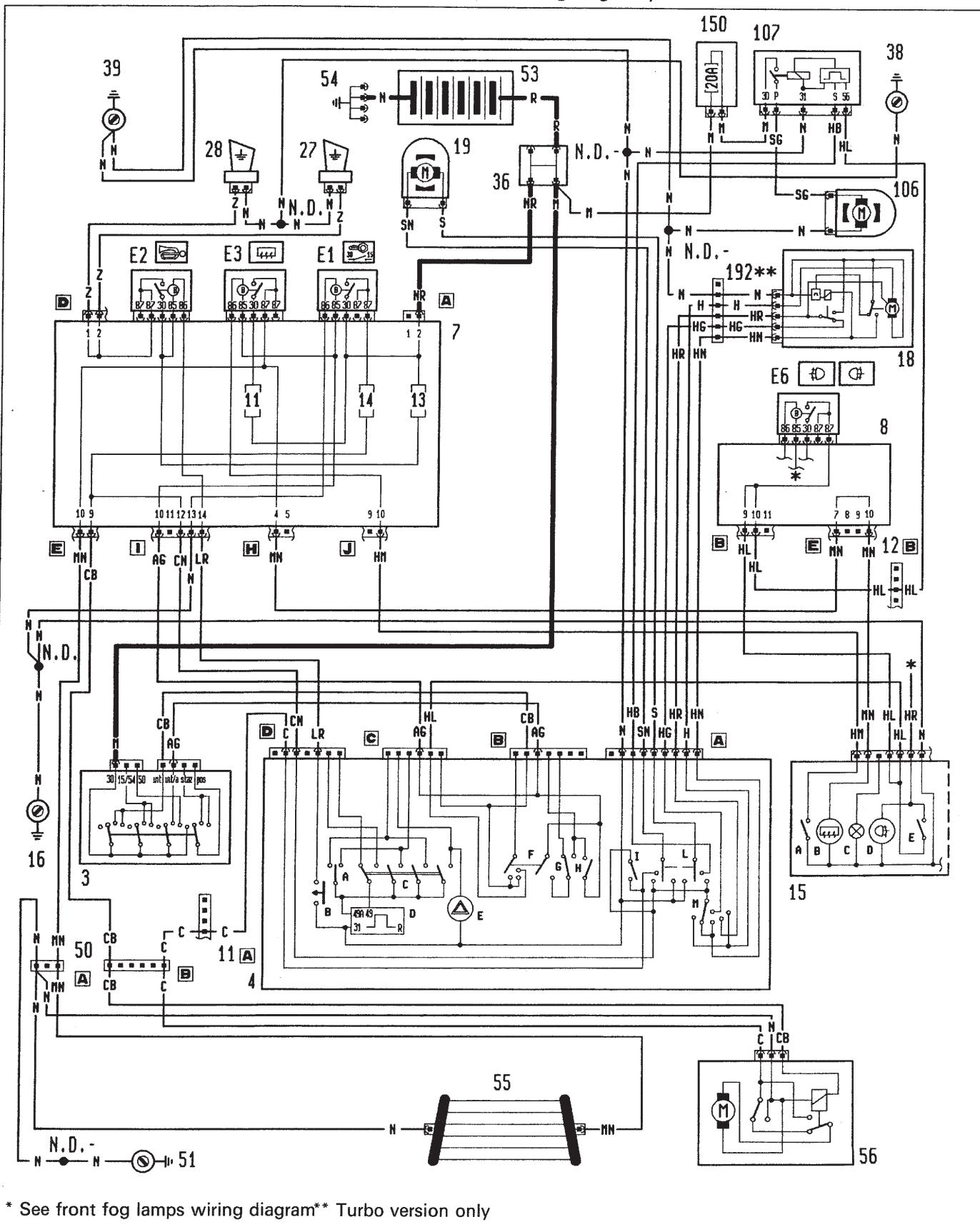


P3M15ZL01

55.

Version: 1372 MPI turbo - Northern Europe

Windscreen wiper - Rear window wash/wipe - Windscreen and rear window washer pump - Electric horns - Heated rear window and warning light - Headlamp washer - (see key following diagrams)

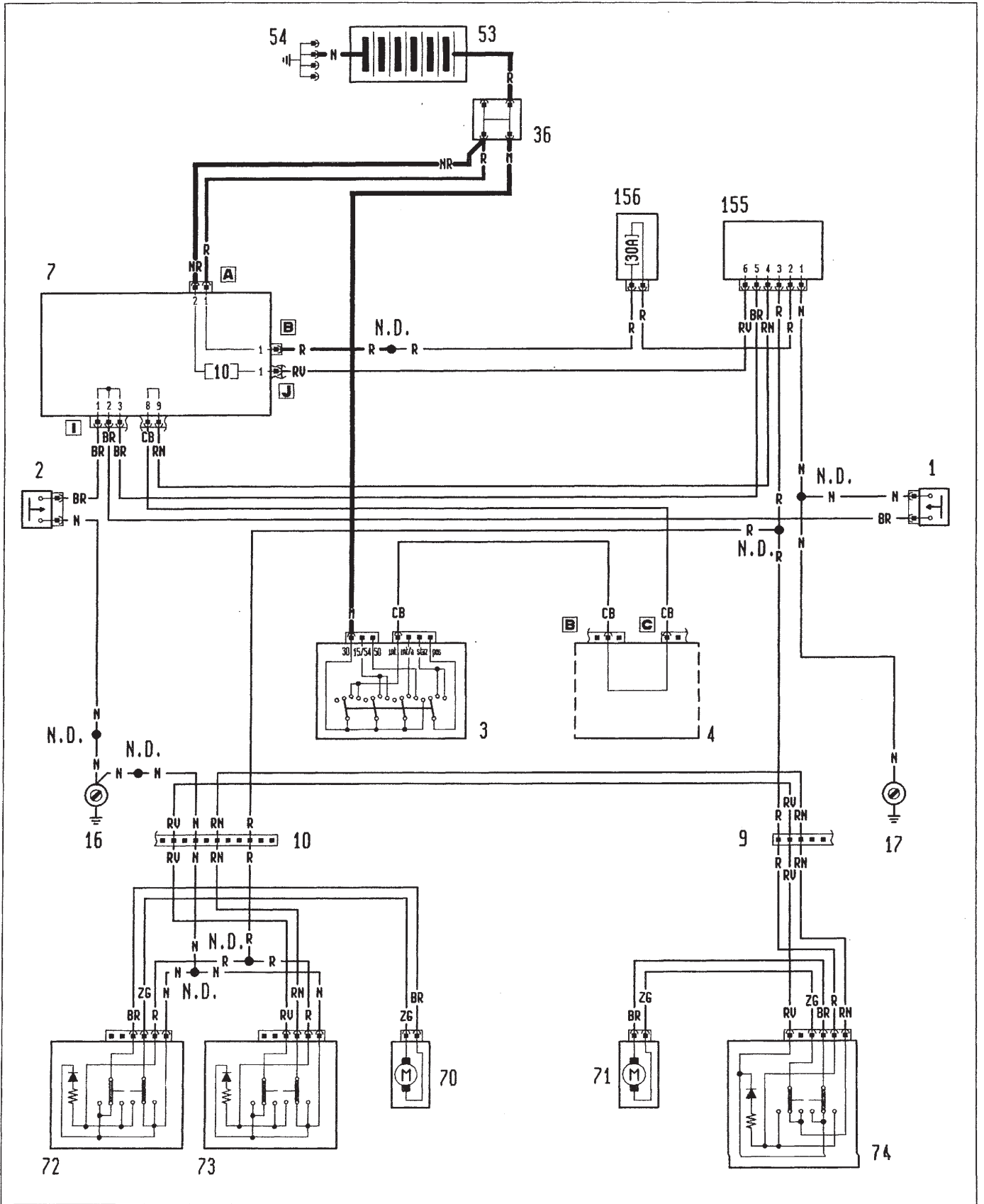


* See front fog lamps wiring diagram** Turbo version only

P3M16ZL01

Version: F.pack - E

Electric front windows - (see key following diagrams)

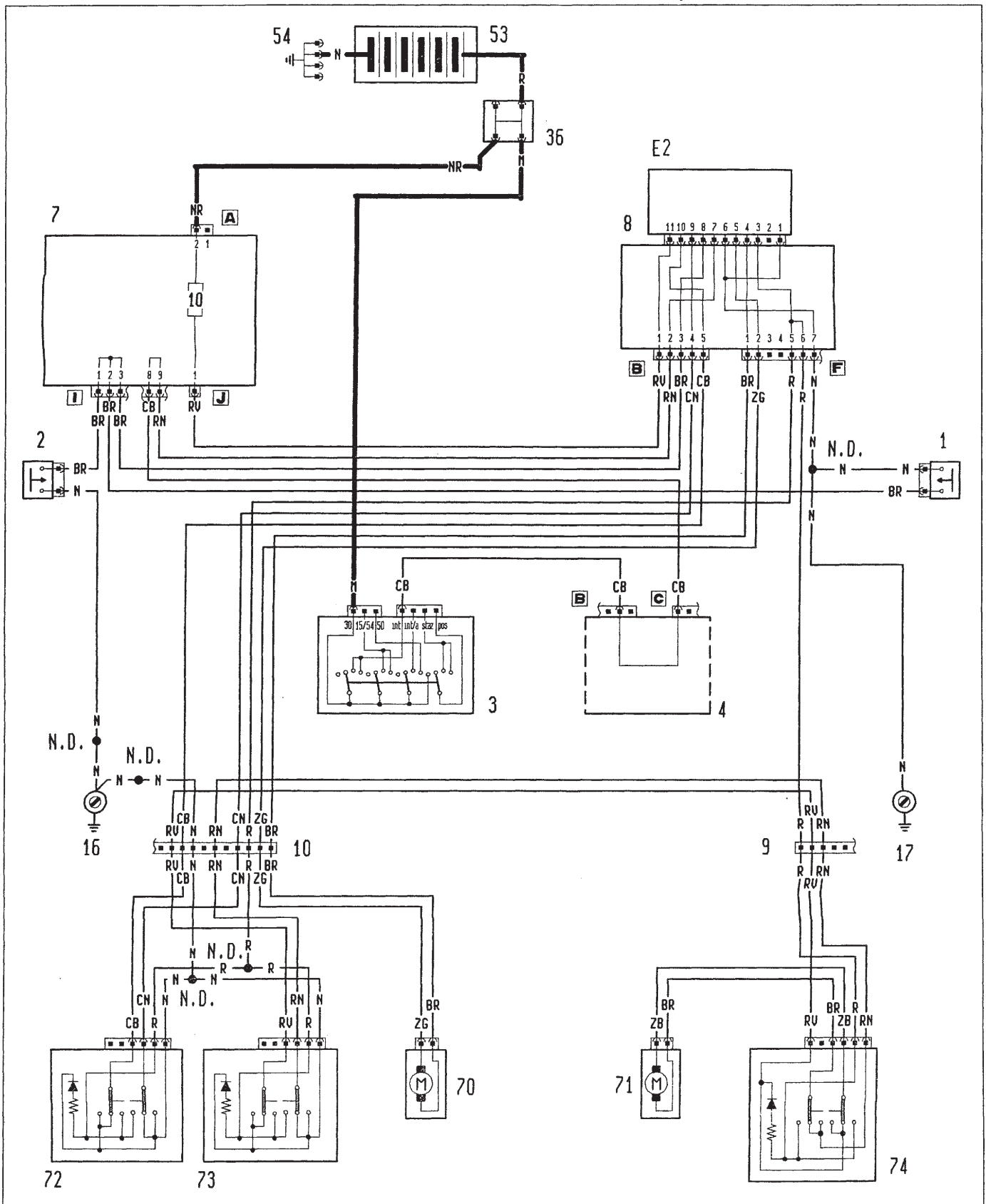


P3M17ZL01

55.

Version: E.pack - 1372 MPI turbo

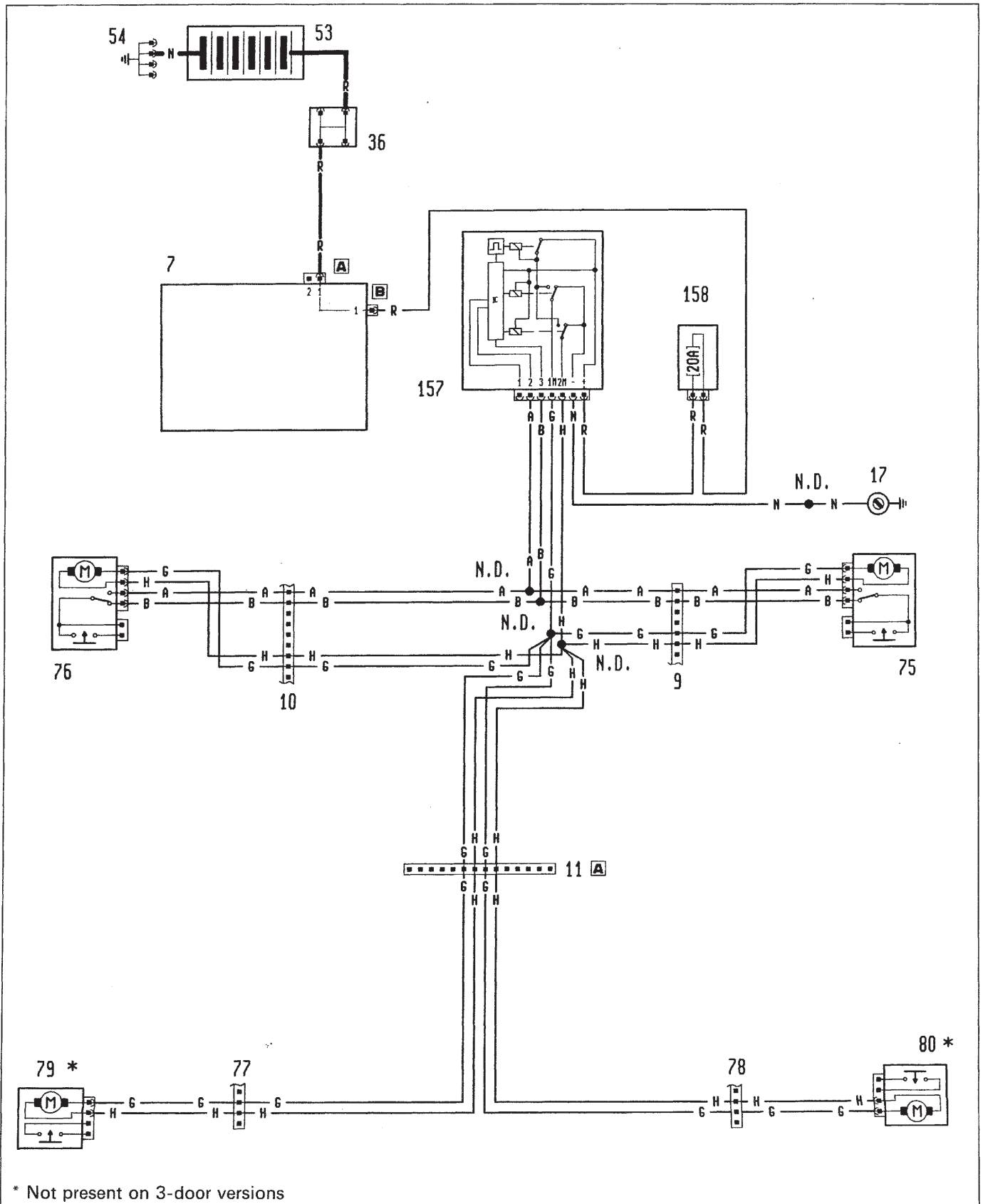
Electric front windows - (see key following diagrams)



P3M18ZL01

Version: F.pack - E

Central door locking system - (see key following diagrams)



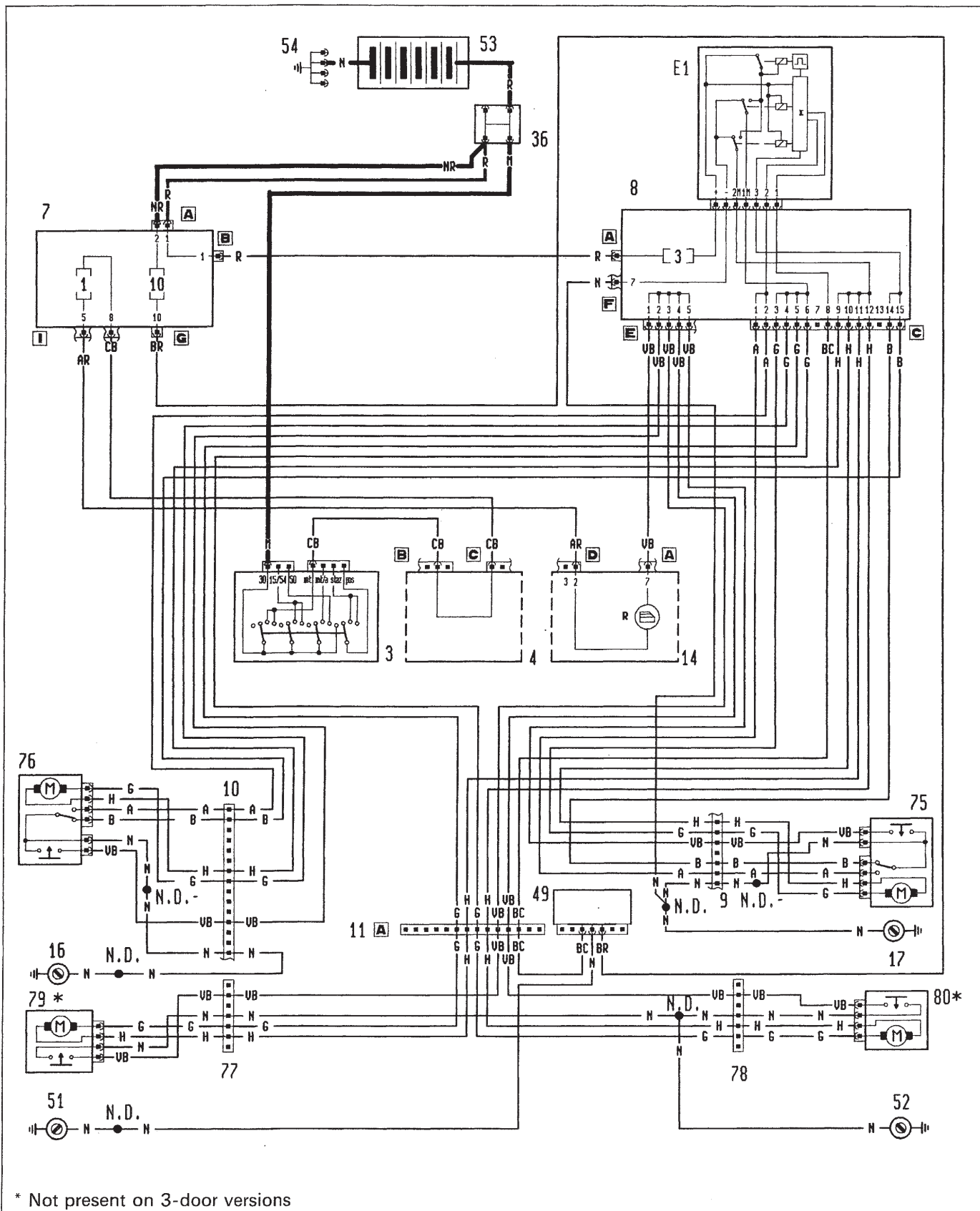
* Not present on 3-door versions

P3M19ZL01

55.

Version: E.pack - 1372 MPI turbo

Central door locking system - Doors open warning light - (see key following diagrams)

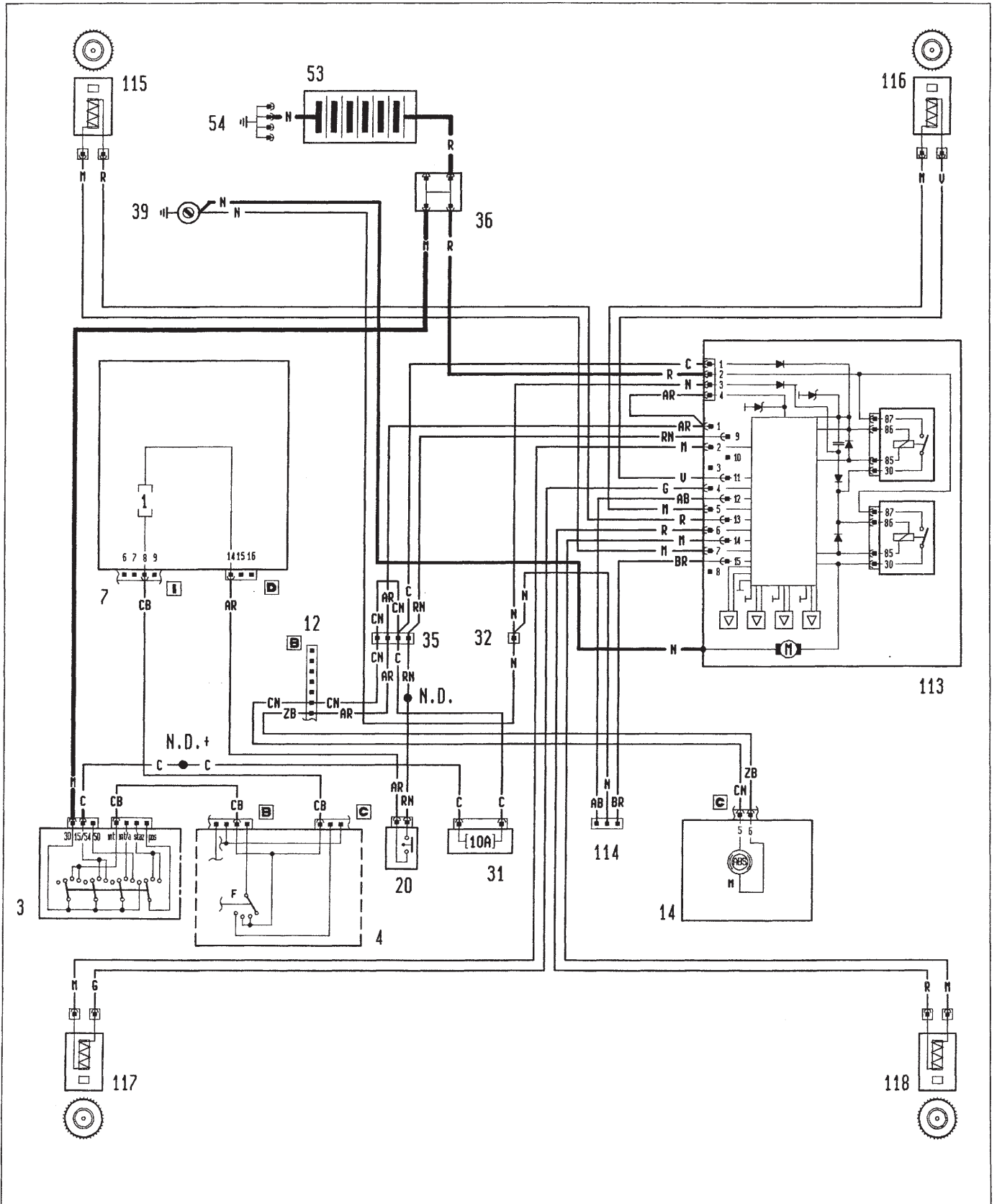


* Not present on 3-door versions

P3M20ZL01

Version: F.pack - E.pack - 1372 MPI turbo

Anti-lock braking system and warning light (A.B.S. 2SH) - (see key following diagrams)

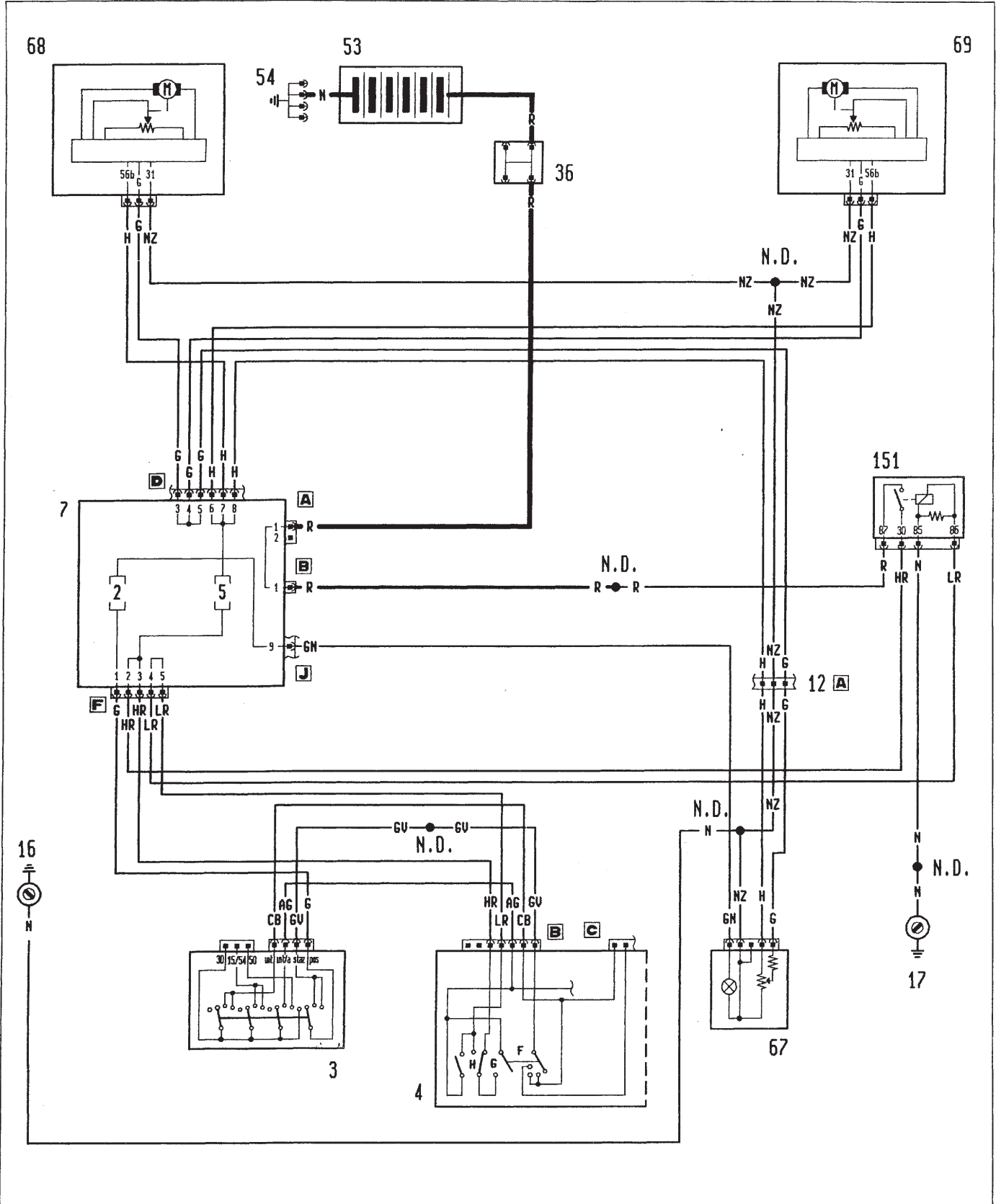


P3M21ZL01

55.

Version: F.pack - E

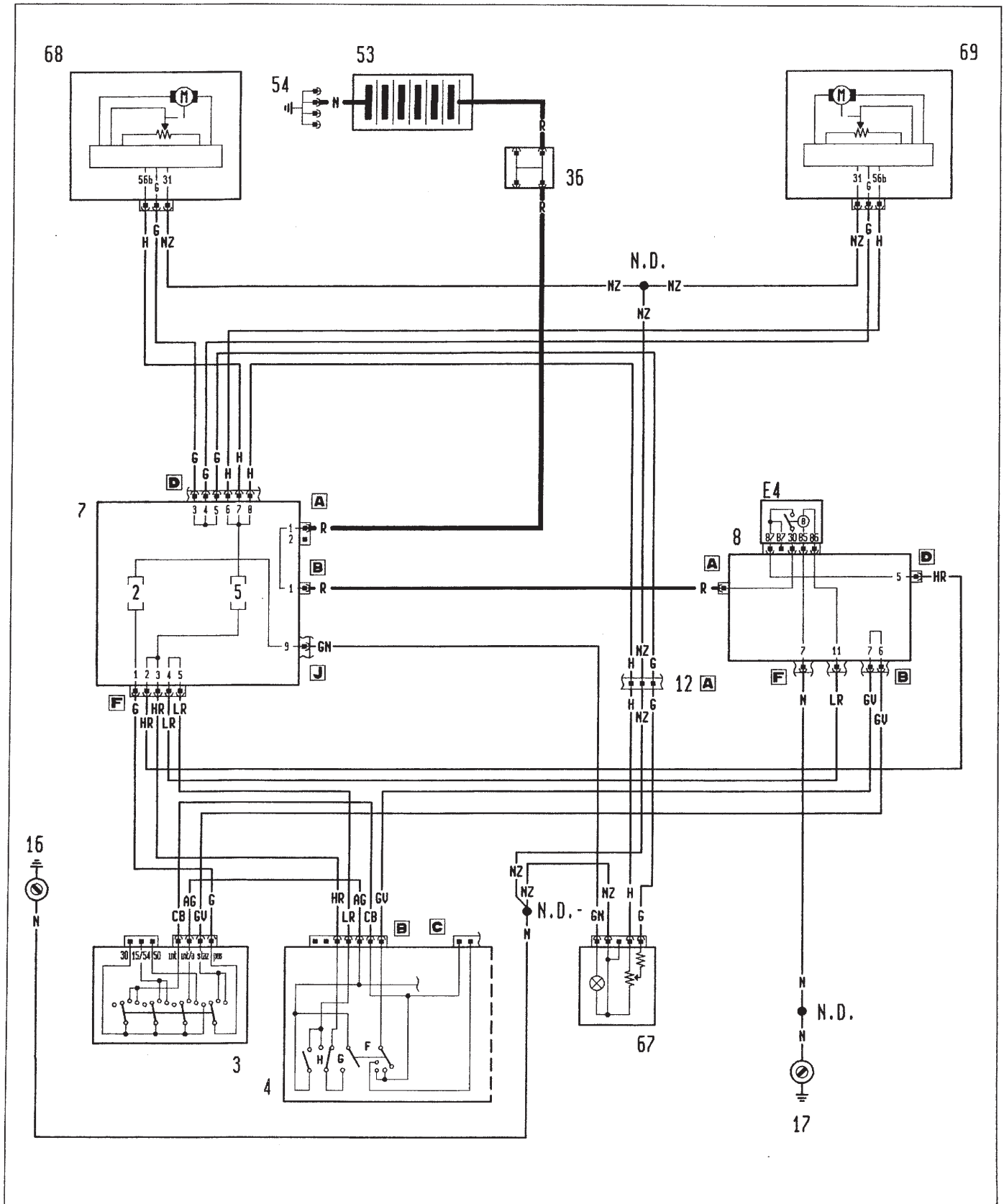
Headlamp adjuster - (see key following diagrams)



P3M22ZL01

Version: E.pack - 1372 MPI turbo

Headlamp adjuster - (see key following diagrams)

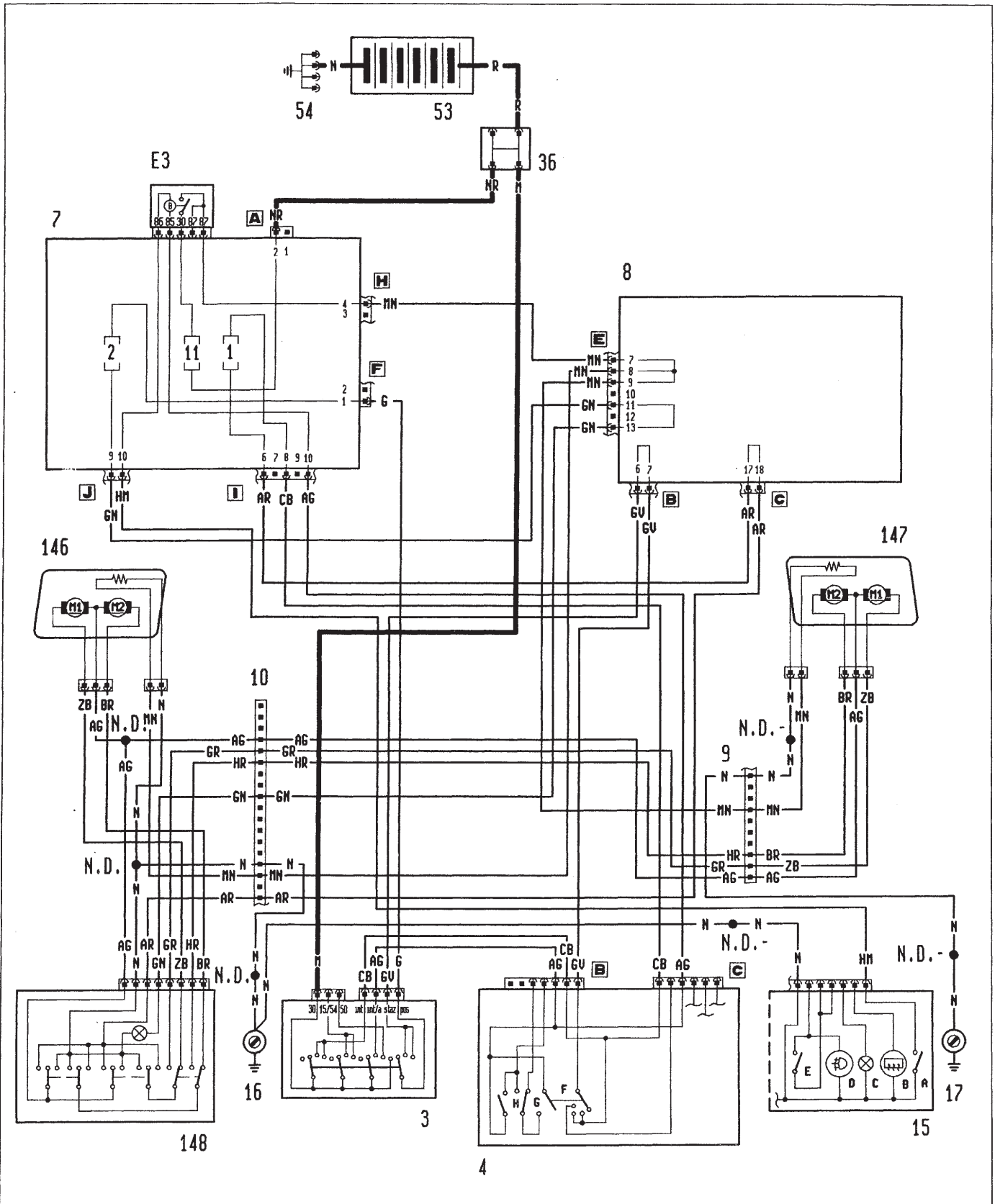


P3M23ZL01

55.

Version: 1372 MPI turbo

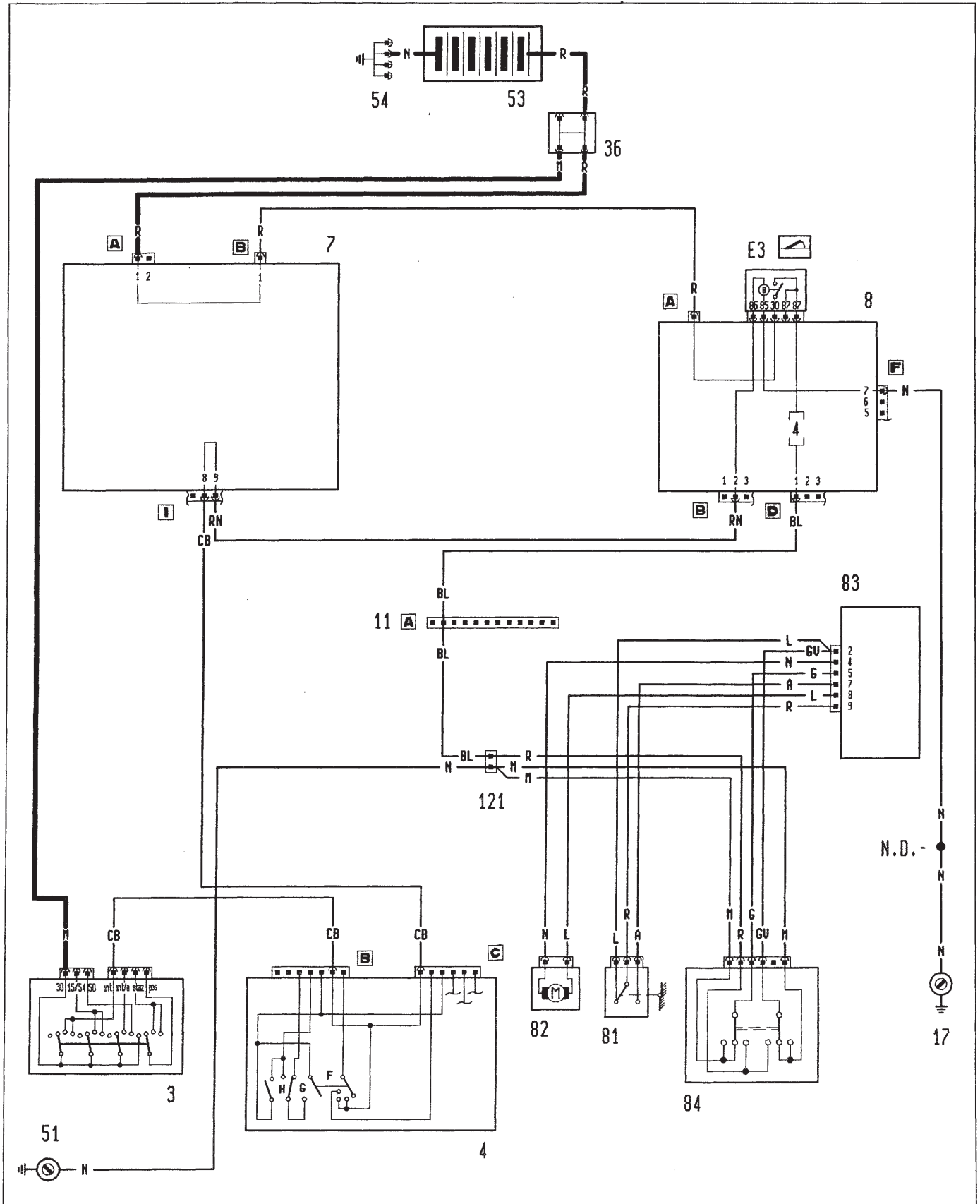
Electric heated exterior rearview mirrors - (see key following diagrams)



P3M24ZL01

Version: E.pack - 1372 MPI turbo

Electric sunroof - (see key following diagrams)

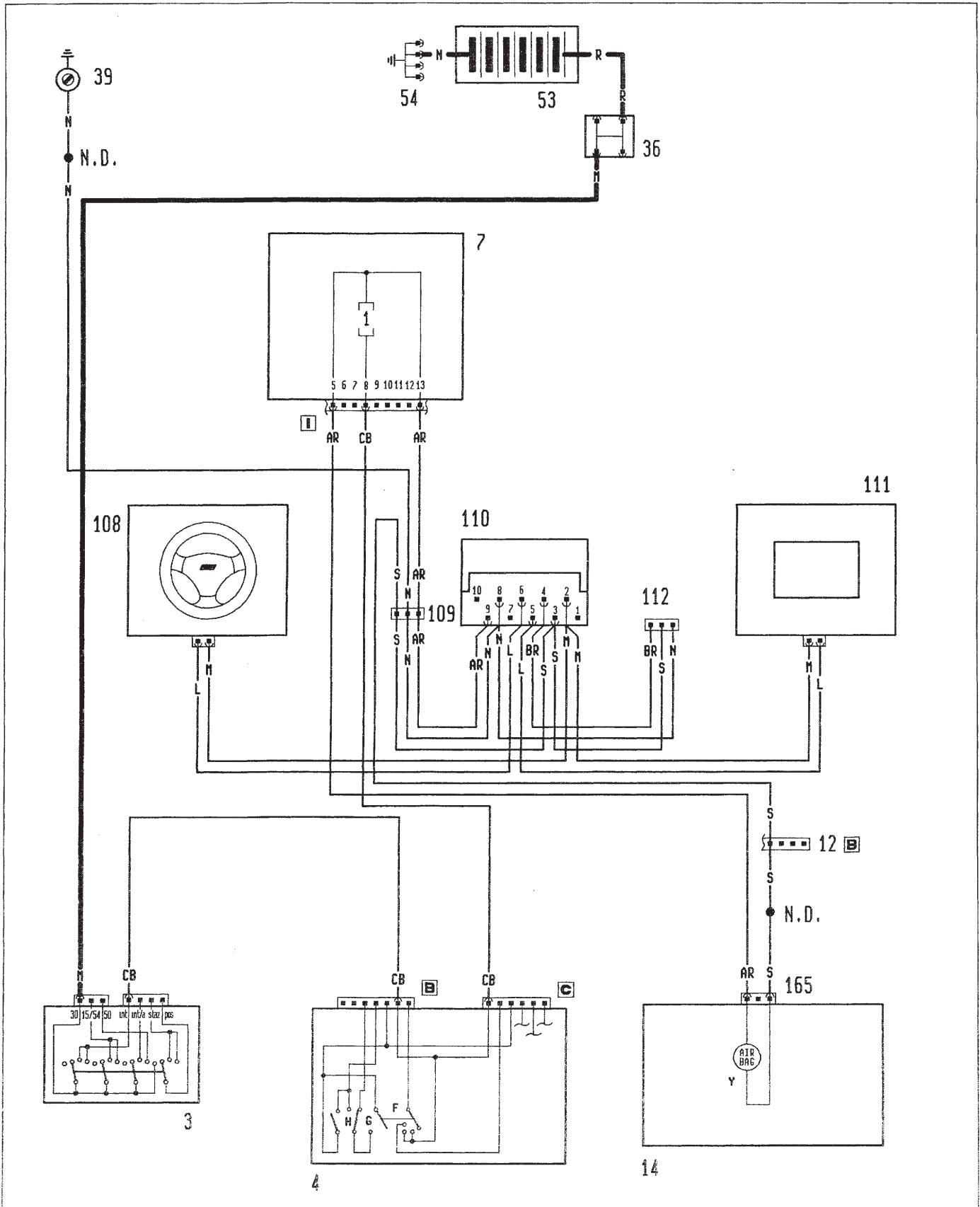


P3M25ZL01

55.

Version: All

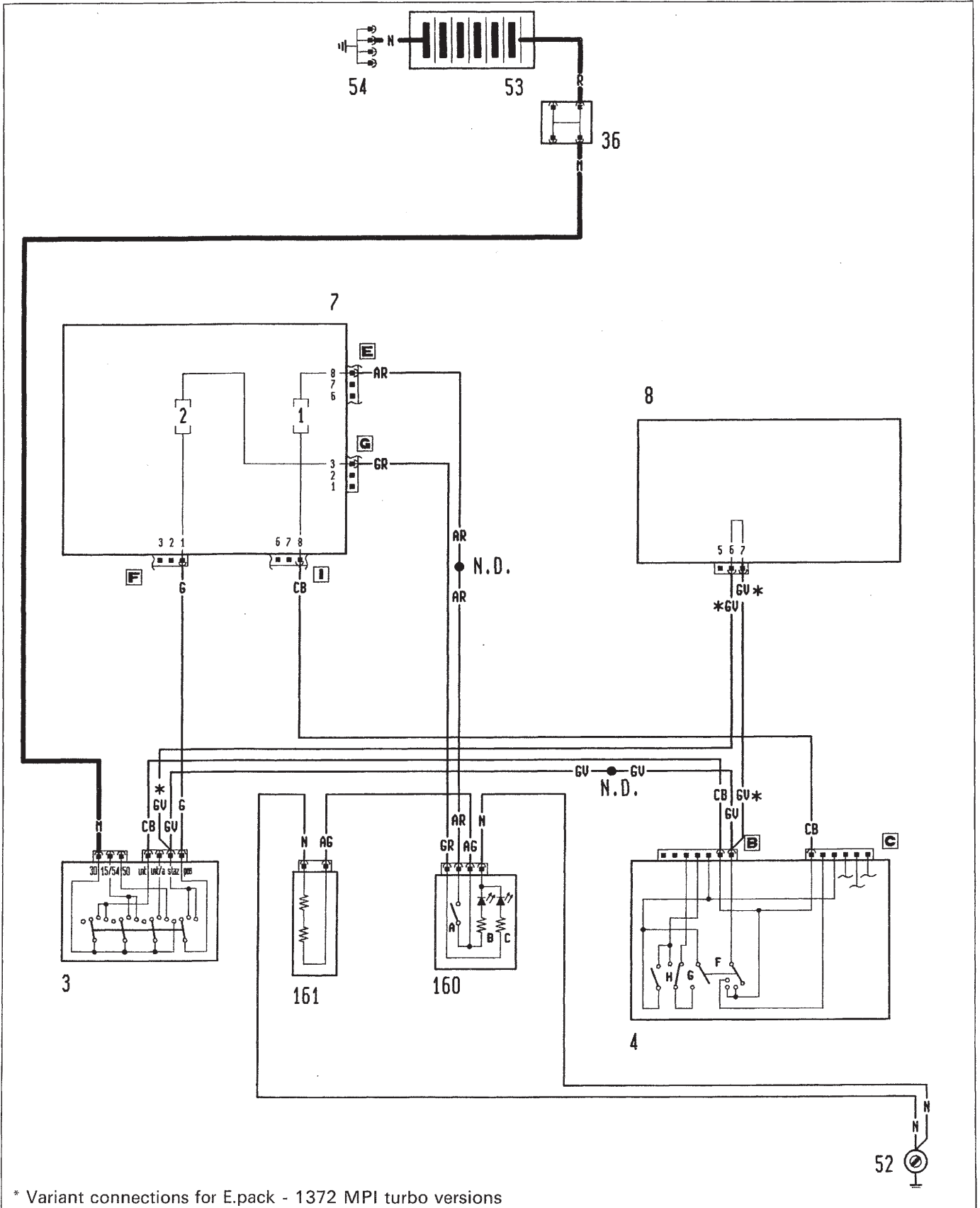
Air Bag and relevant fault warning light - (see key following diagrams)



P3M26ZL01

Northern Europe version: 1242 MPI F - F.pack - E.pack - 1372 MPI turbo

Driver's heated seat - (see key following diagrams)



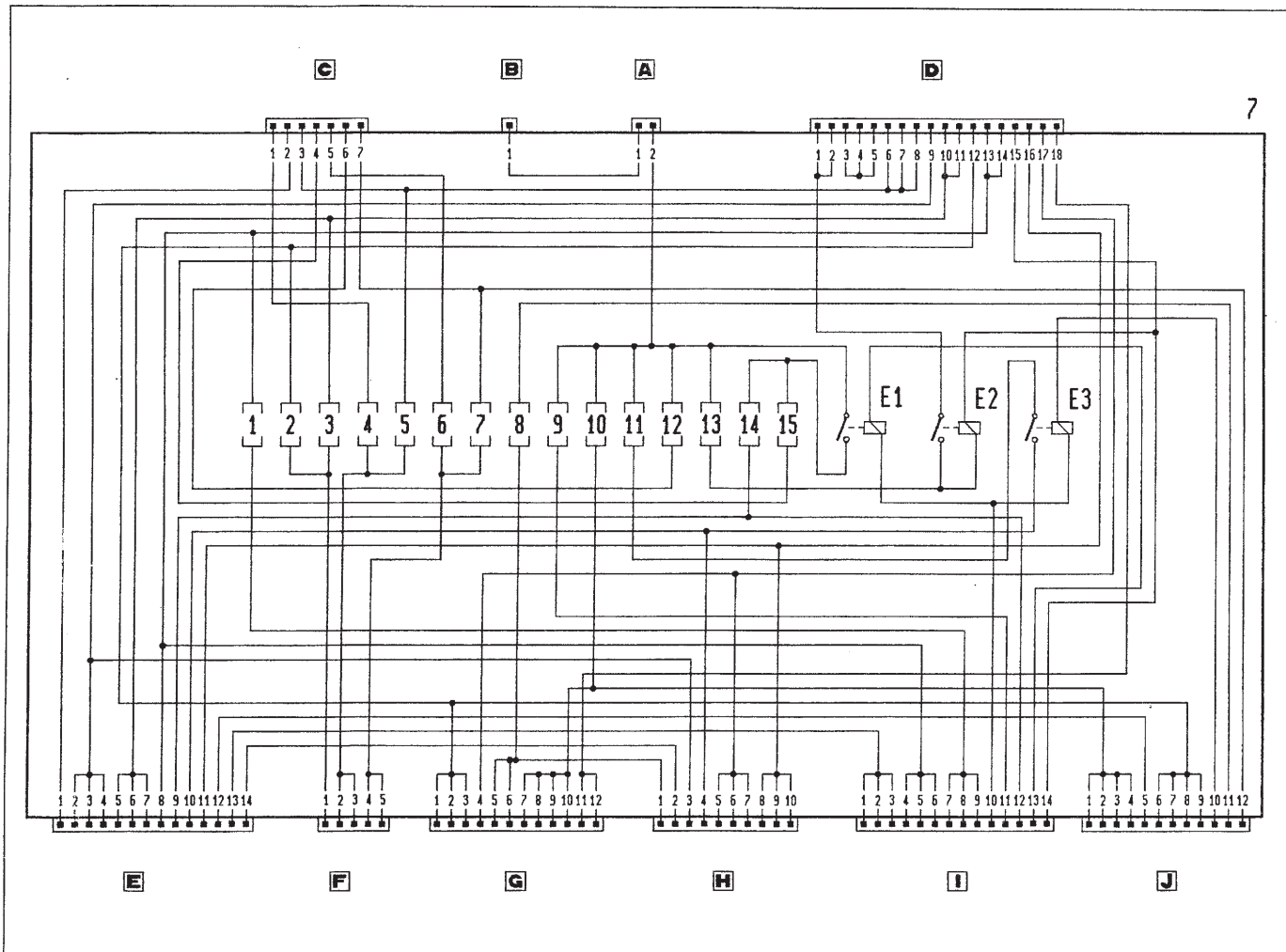
* Variant connections for E.pack - 1372 MPI turbo versions

P3M27ZL01

55.

Version: All

Junction unit - (See key following diagrams)



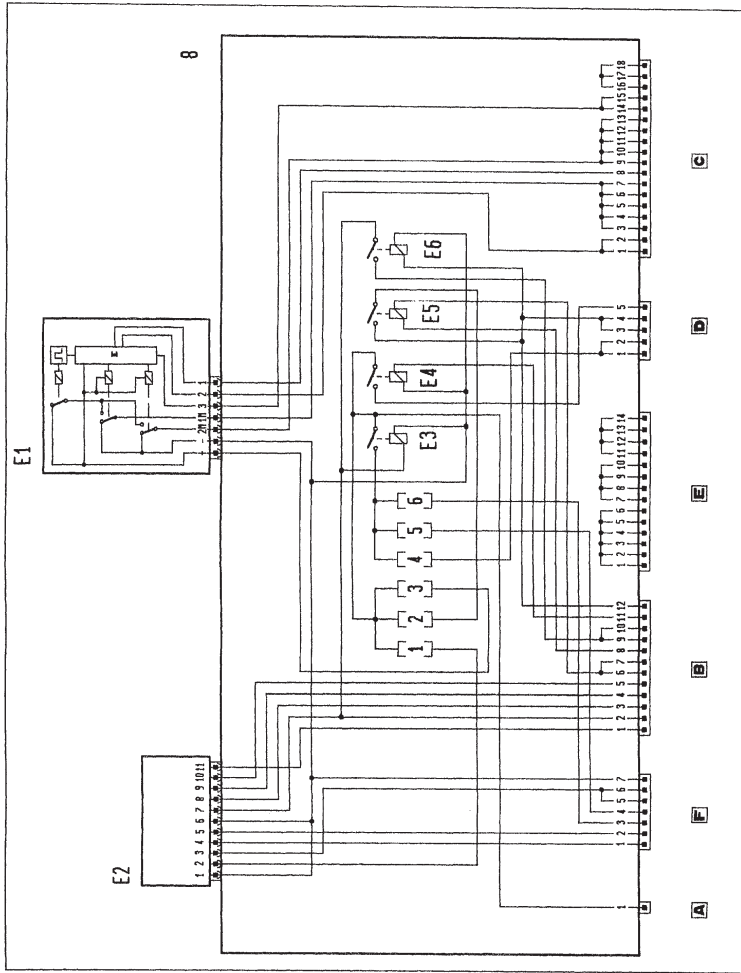
P3M28ZL01

List of fuses in junction unit 7

Fuse 1	15A	Fuse 9	10A
Fuse 2	10A	Fuse 10	15A
Fuse 3	10A	Fuse 11	20A
Fuse 4	10A	Fuse 12	20A
Fuse 5	10A	Fuse 13	20A
Fuse 6	10A	Fuse 14	20A
Fuse 7	10A	Fuse 15	20A
Fuse 8	10A		

Version: E.pack - 1372 MPI turbo

Junction unit (optional devices) - (See key following diagrams)



PSM28ZLOT

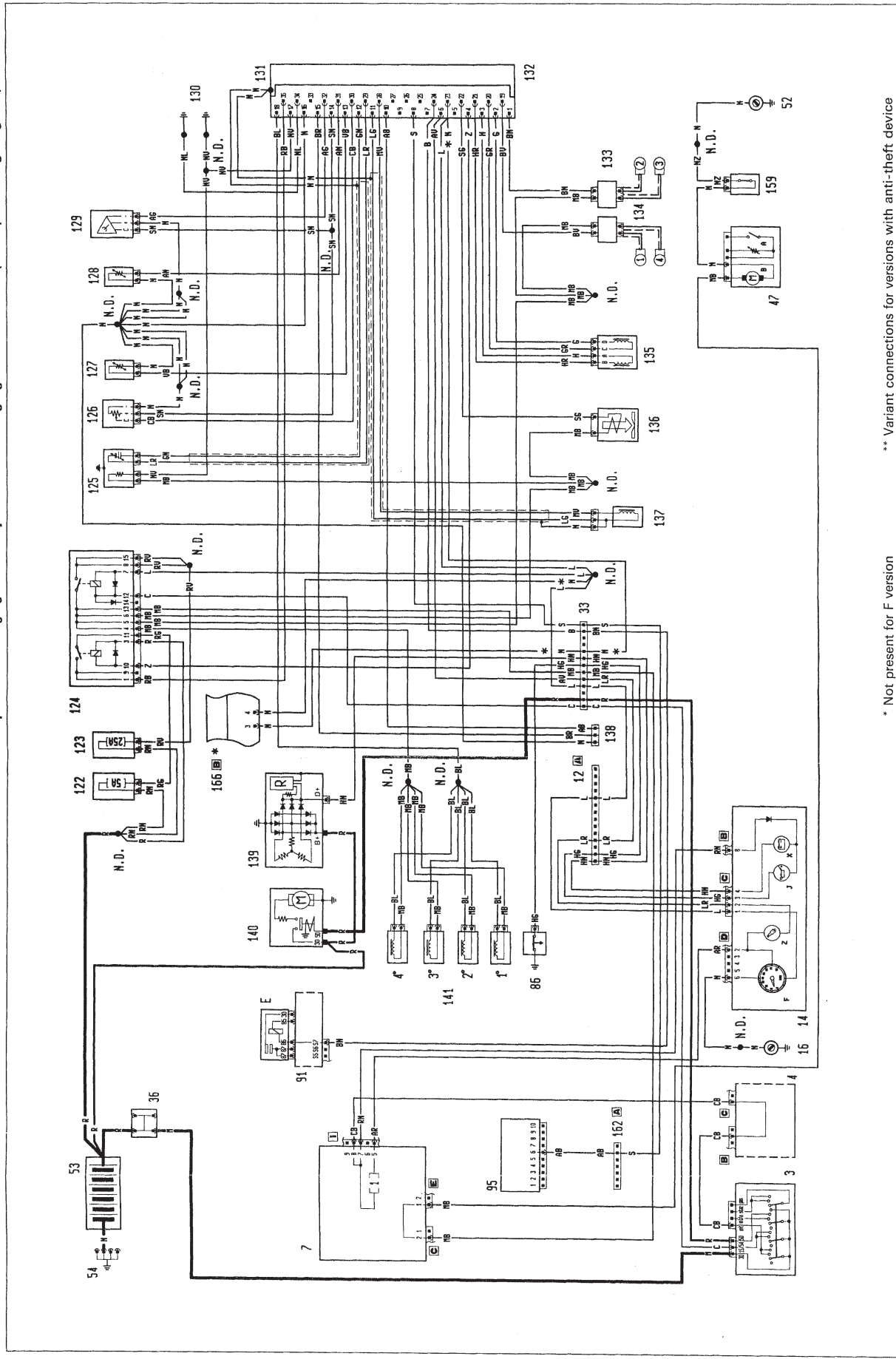
List of fuses in junction unit 8 (optional devices)

- Fuse 1 30A
- Fuse 2 20A
- Fuse 3 20A
- Fuse 4 20A
- Fuse 5 30A
- Fuse 6 30A

55.

Version: 1108 SPI - 1242 SPI

Starting system - I.A.W. 6F.SB electronic ignition-fuel injection - Recharging system and warning light - Low engine oil pressure warning light - Fuel injection fault warning light - Rev counter - (See key following diagrams)

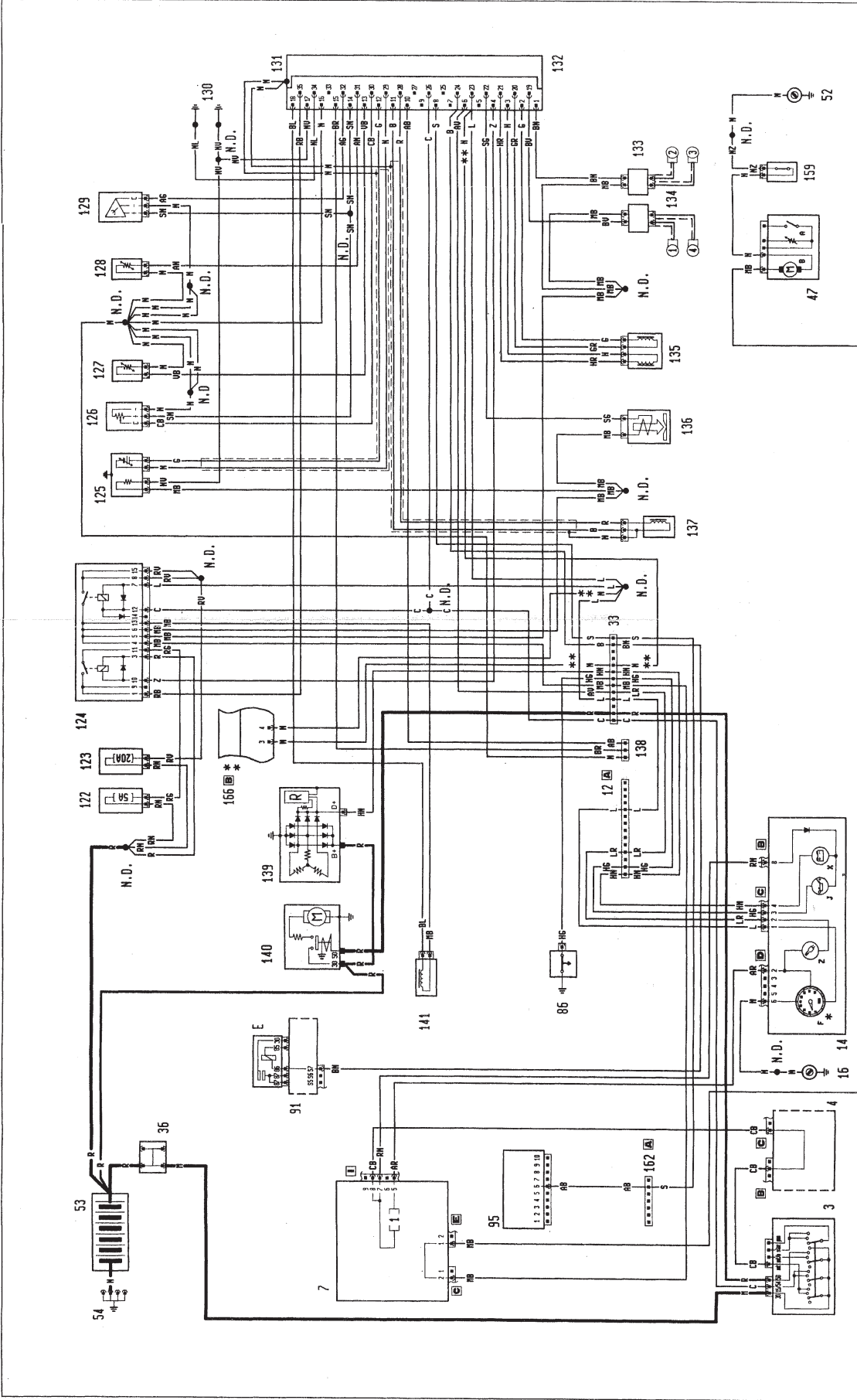


* Not present for F version

** Variant connections for versions with anti-theft device

Version: 1242 MPI

Starting system - I.A.W. 8F.5T electronic ignition-fuel injection - Recharging system and warning light - Low engine oil pressure warning light - Fuel injection fault warning light - Rev counter - (See key following diagrams)



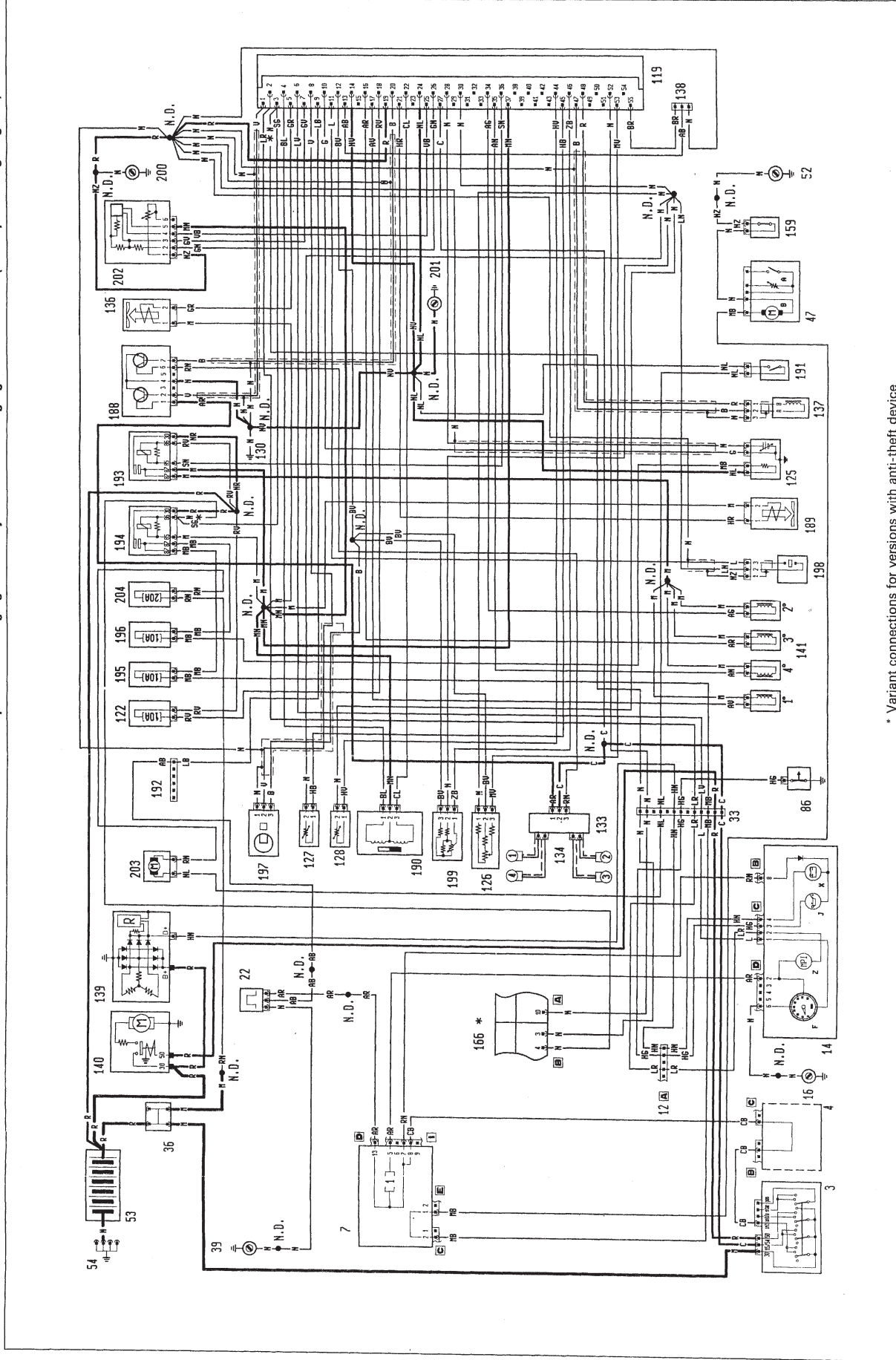
* Variant connections for versions with anti-theft device

Electrical system Wiring diagrams

55.

Version: 1372 MPI turbo

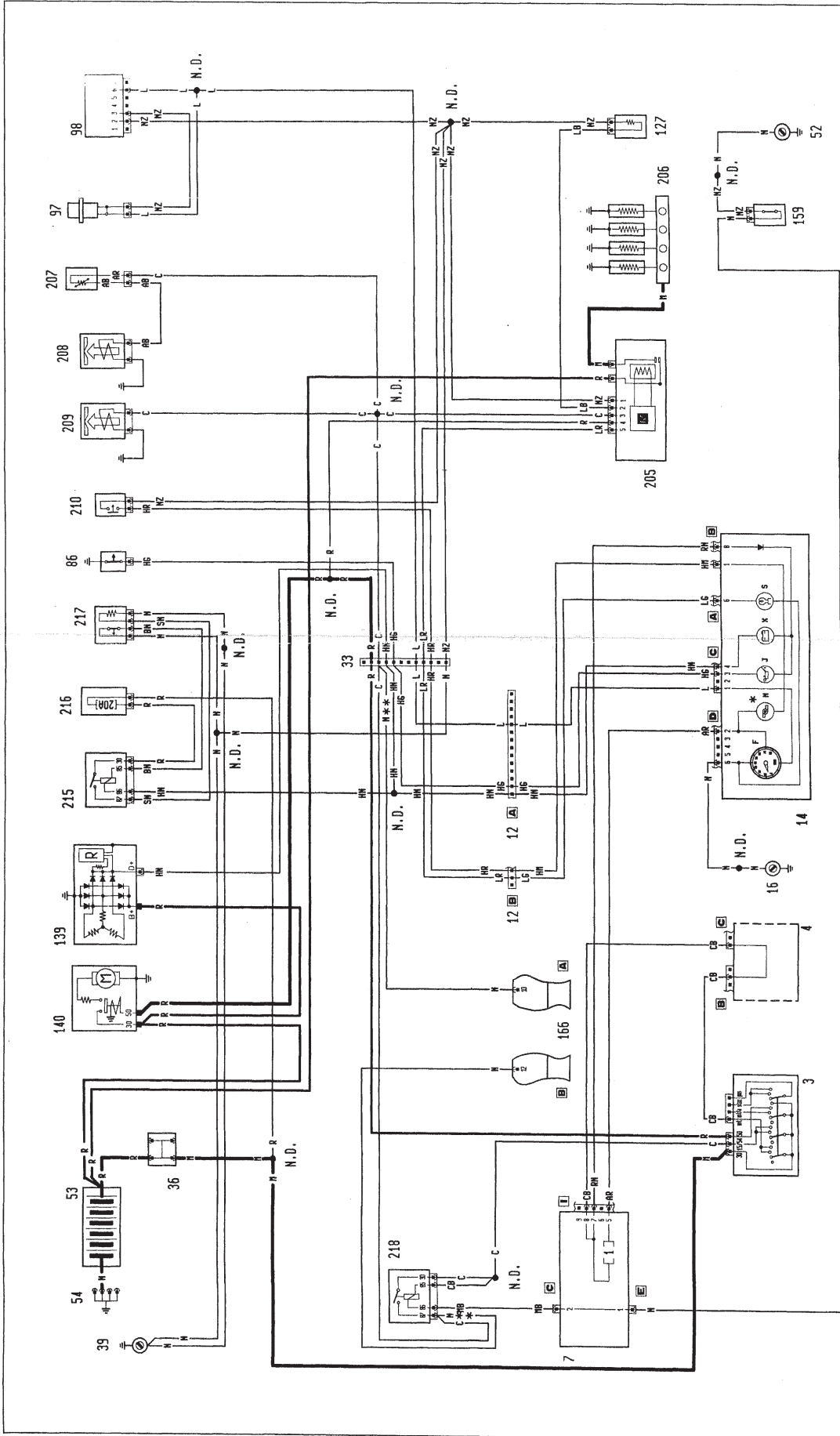
Starting system - Motronic (Bosch) electronic ignition-fuel injection - Recharging system and warning light - Low engine oil pressure warning light - Fuel injection fault warning light - Rev counter - (See key following diagrams)



* Variant connections for versions with anti-theft device

Version: 1697 TD (EM.08)

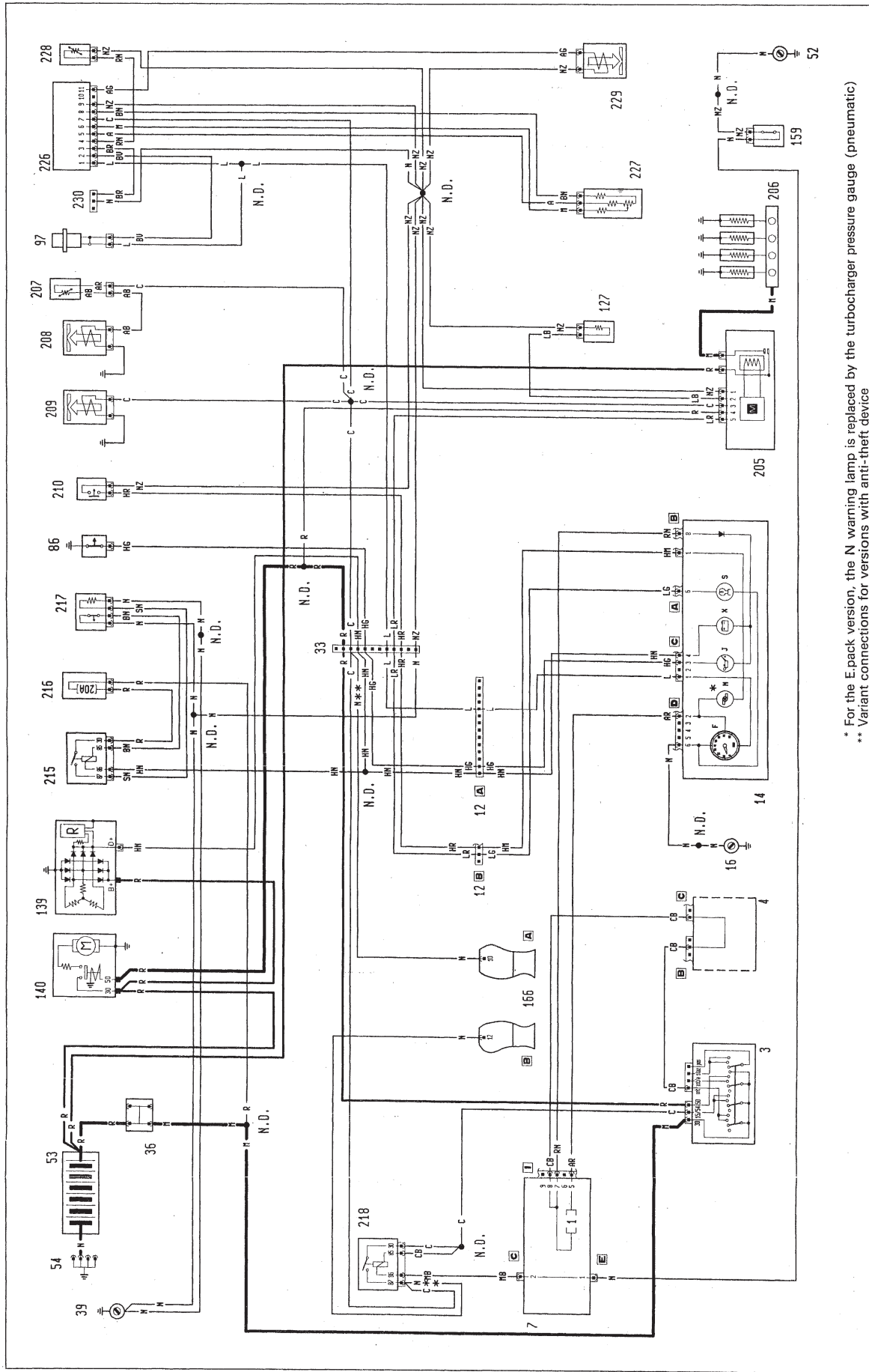
Starting system - Plug preheating system and warning lamp - Recharging system and warning light - Cold automatic fuel injection advance device (K.S.B.) - Heated fuel filter system (P.T.C.) - Low engine oil pressure warning light - Maximum turbo boost pressure warning light - Rev counter - (See key following diagrams)



* For the E-pack version, the N warning lamp is replaced by the turbocharger pressure gauge (pneumatic)
** Variant connections for versions with anti-theft versions

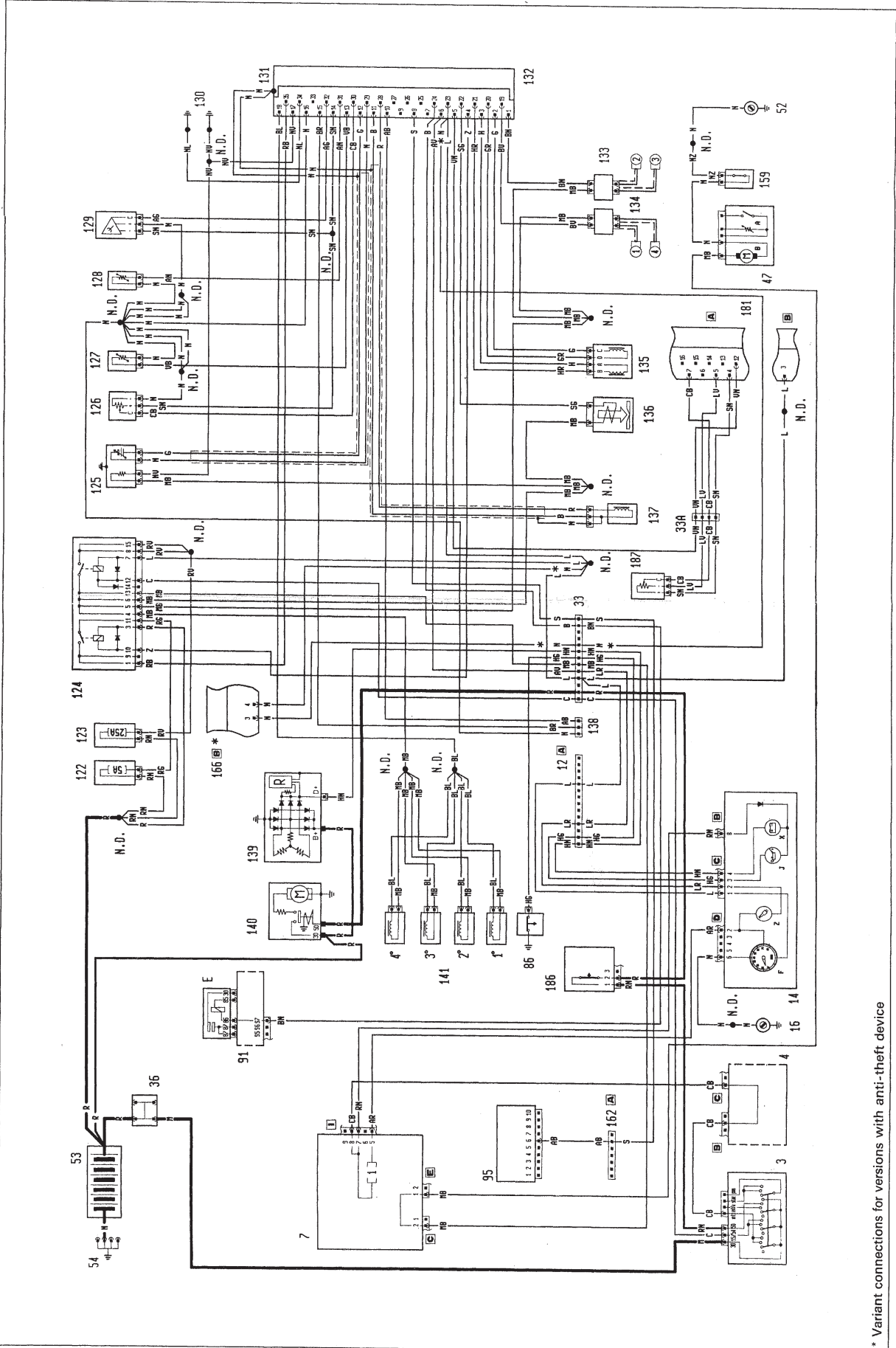
Version: 1697 TD (USA 87)

Starting system - Plug preheating system and warning lamp - Recharging system and warning light - Cold automatic fuel injection advance device (K.S.B) - E.G.R. electronic control unit - Heated fuel filter system (P.T.C.) - Low engine oil pressure warning light - Maximum turbo boost pressure warning light - Rev counter - (See key following diagrams)



* For the E-pack version, the N warning lamp is replaced by the turbocharger pressure gauge (pneumatic)
** Variant connections for versions with anti-theft device

Version with automatic transmission: 1242 SPI F, pack
Starting system - I.A.W.6F.SB electronic ignition-fuel injection - Recharging system and warning light - Low engine oil
pressure warning light - Fuel injection fault warning light - Rev counter - (See key following diagrams)

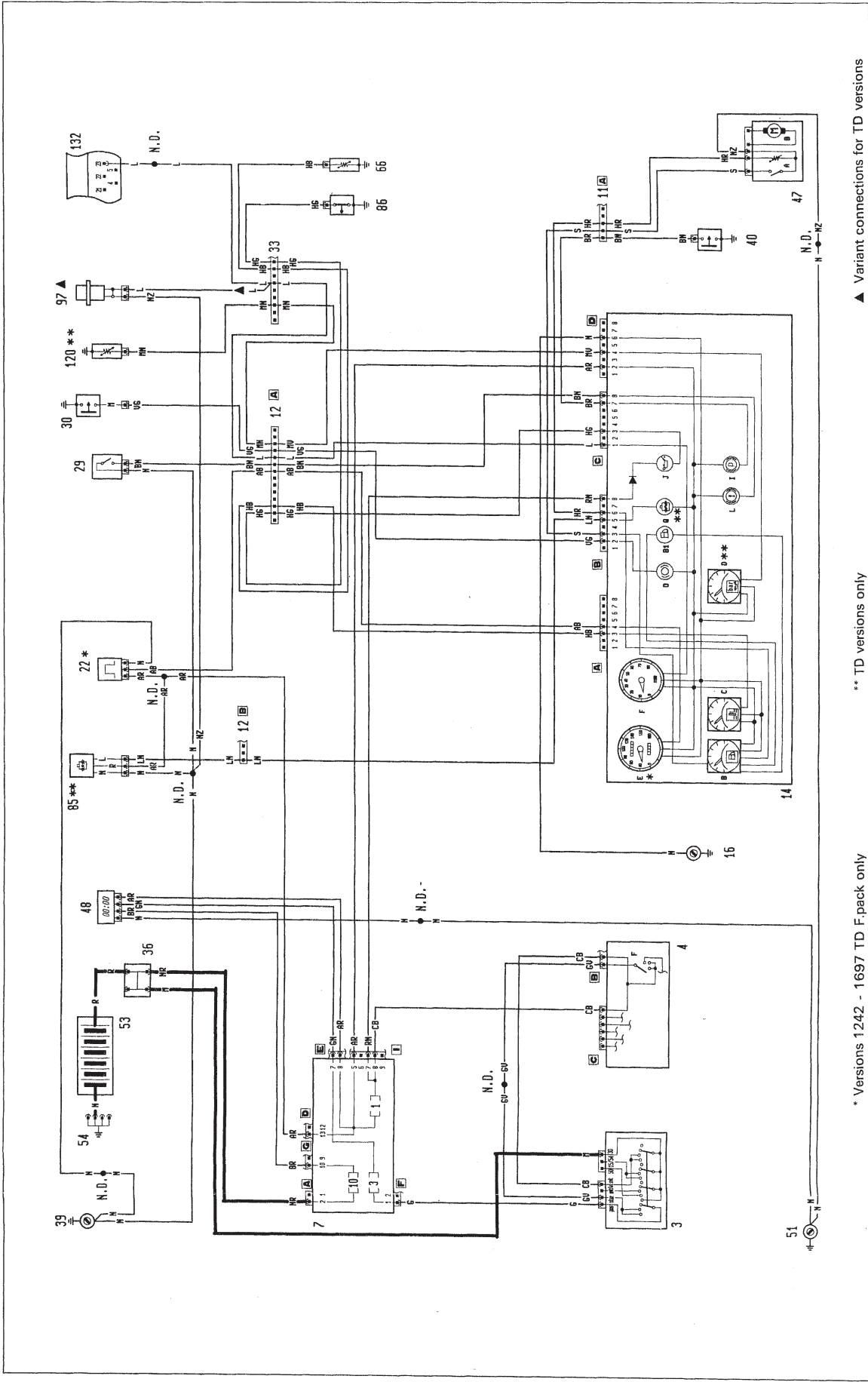


* Variant connections for versions with anti-theft device

55.

Version: F.pack - E

Fuel level gauge and reserve warning light - Low brake fluid level warning light - Handbrake warning light - Water temperature gauge - Brake pad wear warning light - Low engine oil pressure warning light - Water in fuel warning light - Clock - Rev counter - Speedometer - Engine oil pressure gauge - (see key following diagrams)



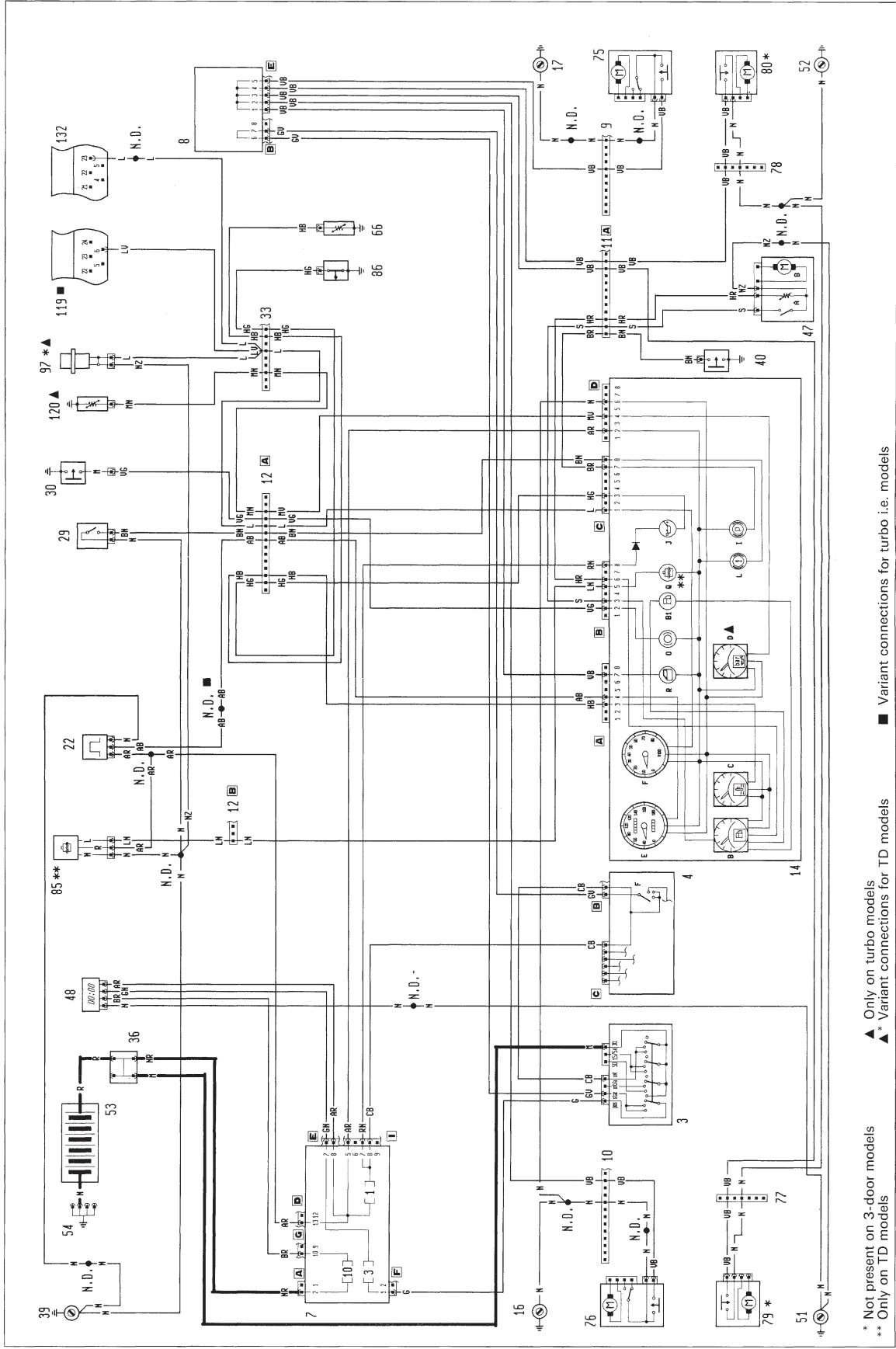
* Versions 1242 - 1697 TD F.pack only

** TD versions only

▲ Variant connections for TD versions

Model: E-pack - 1372 MPI turbo versions

Fuel gauge and reserve warning light - Low brake fluid level warning light - Handbrake warning light - Water temperature gauge - Brake pad wear warning light - Low engine oil pressure warning light - Water-in-fuel filter warning light - Door open warning light - Clock - Rev counter - Speedometer - Engine oil pressure gauge - (see key following diagrams)



* Not present on 3-door models
** Only on TD models

▲ Only on turbo models
▲* Variant connections for TD models

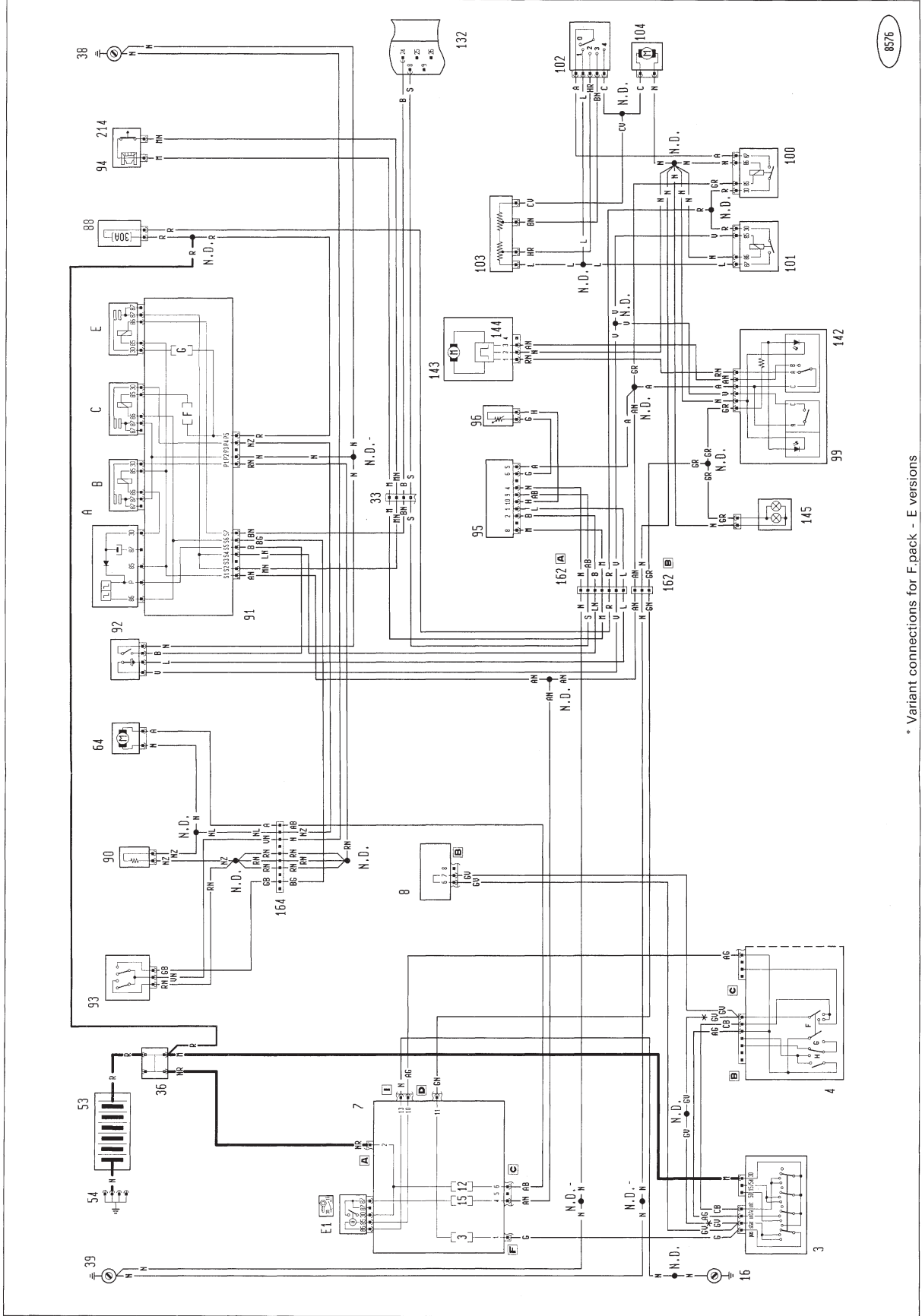
■ Variant connections for turbo i.e. models

Electrical system Wiring diagrams

Punto

55.

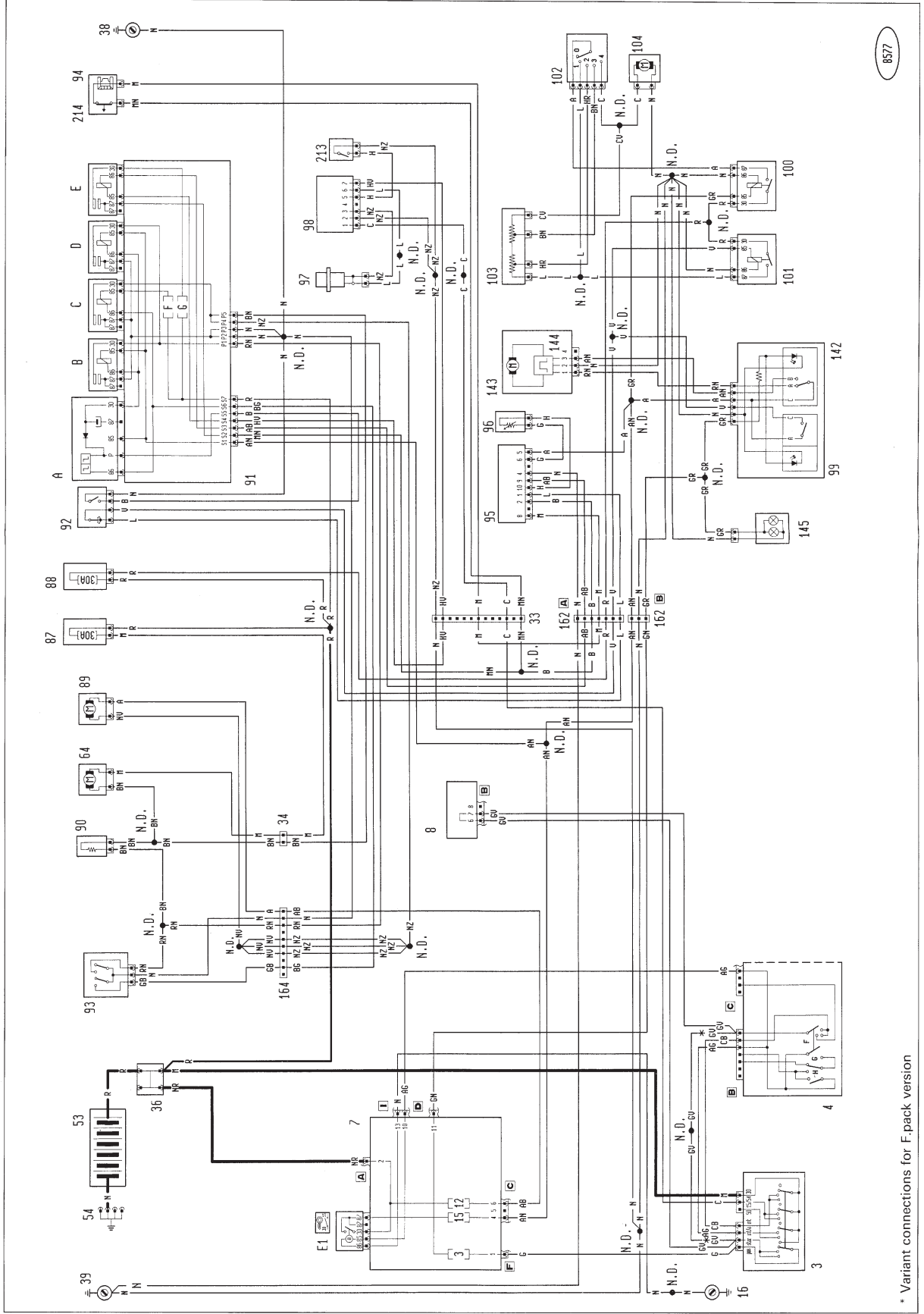
Petrol model: 1242 F.pack - E - 1242 E.pack
Air conditioner - (See key following diagrams)



8576

* Variant connections for F.pack - E versions

TD model: 1697 F-pack - E-pack
Air conditioner - (See key following diagrams)



8577

* Variant connections for F-pack version

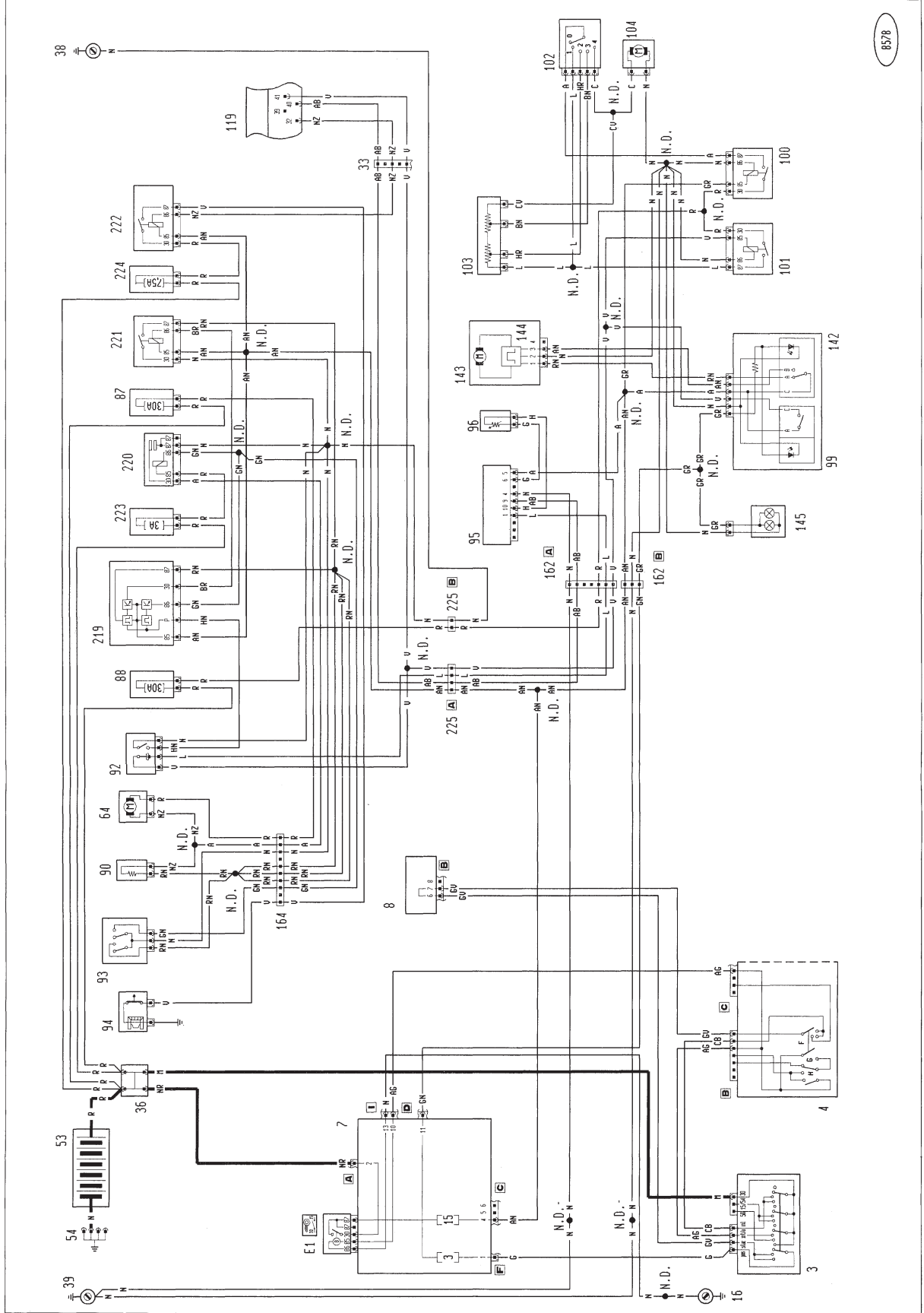
Electrical system

Wiring diagrams

Punto

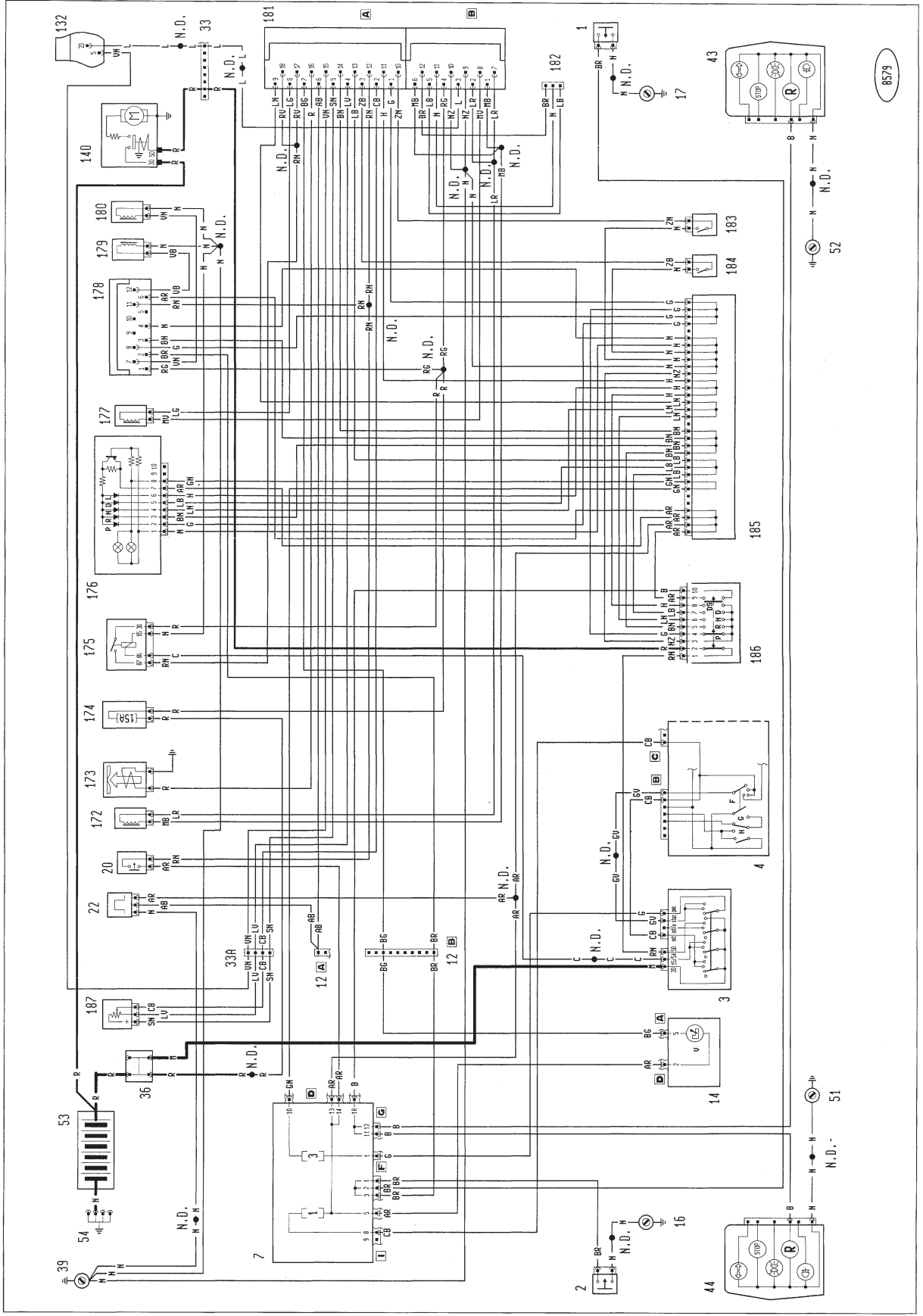
55.

Model: 1372 MPI turbo
Air conditioner - (See key following diagrams)



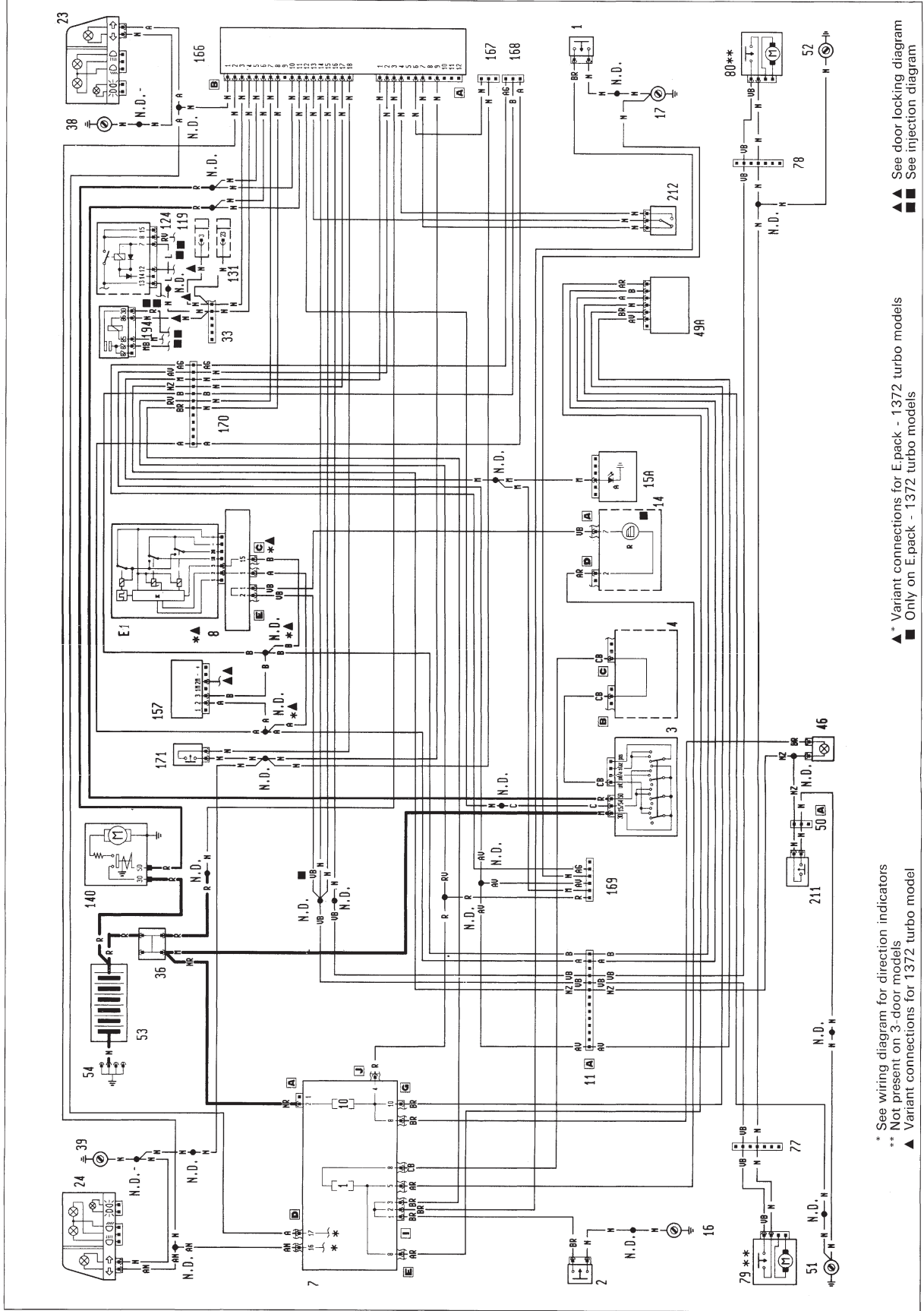
8578

1242 SPI F-pack model
Automatic transmission - Automatic transmission fault warning light - (see key following diagrams)



55.

Petrol model: All
Anti-theft device - (see key following diagrams)

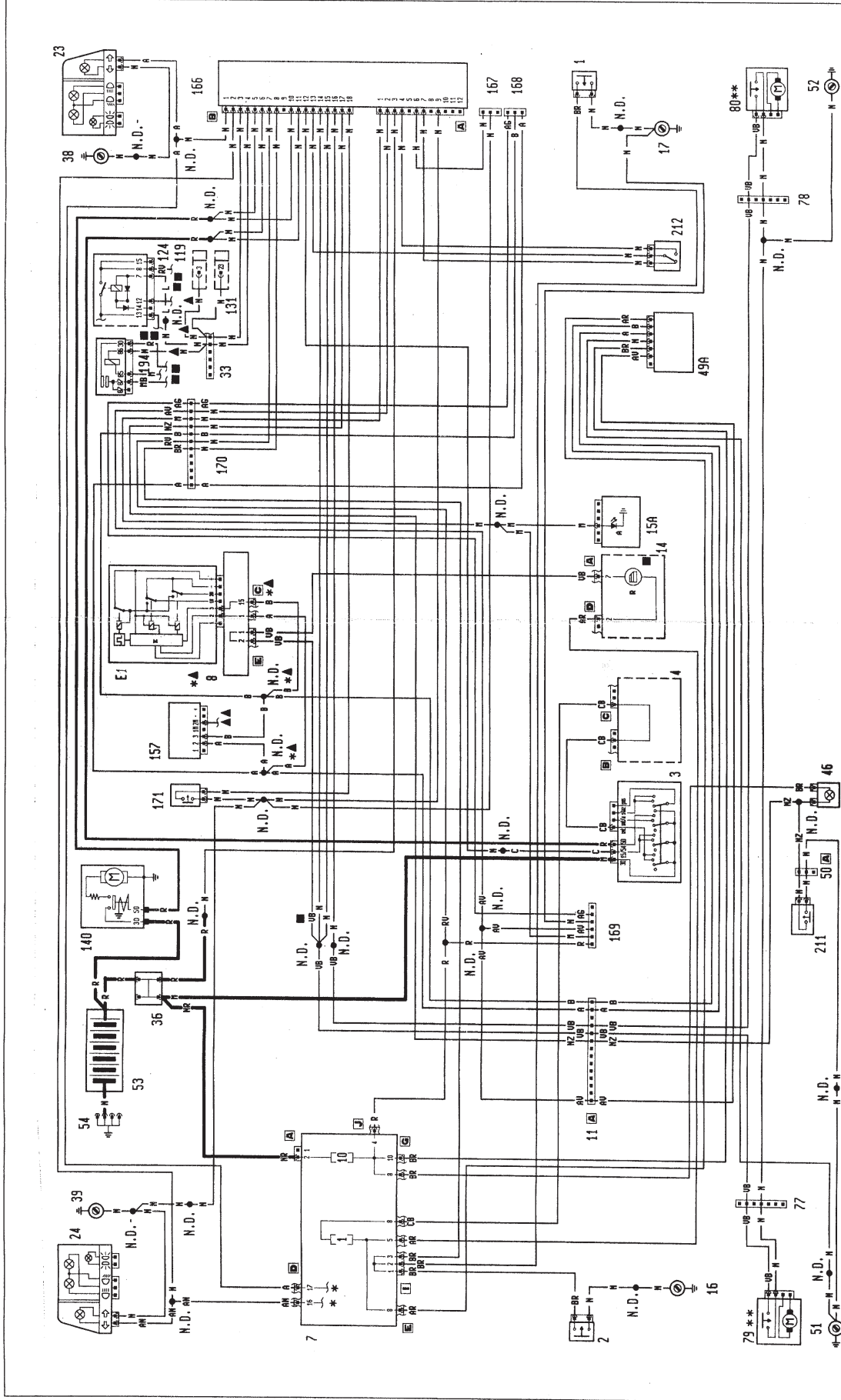


* See wiring diagram for direction indicators
** Not present on 3-door models
▲ Variant connections for 1372 turbo model

▲* Variant connections for E.pack - 1372 turbo models
■ Only on E.pack - 1372 turbo models

▲▲ See door locking diagram
■ See injection diagram

TD version: All
Anti-theft device - (see key following diagrams)



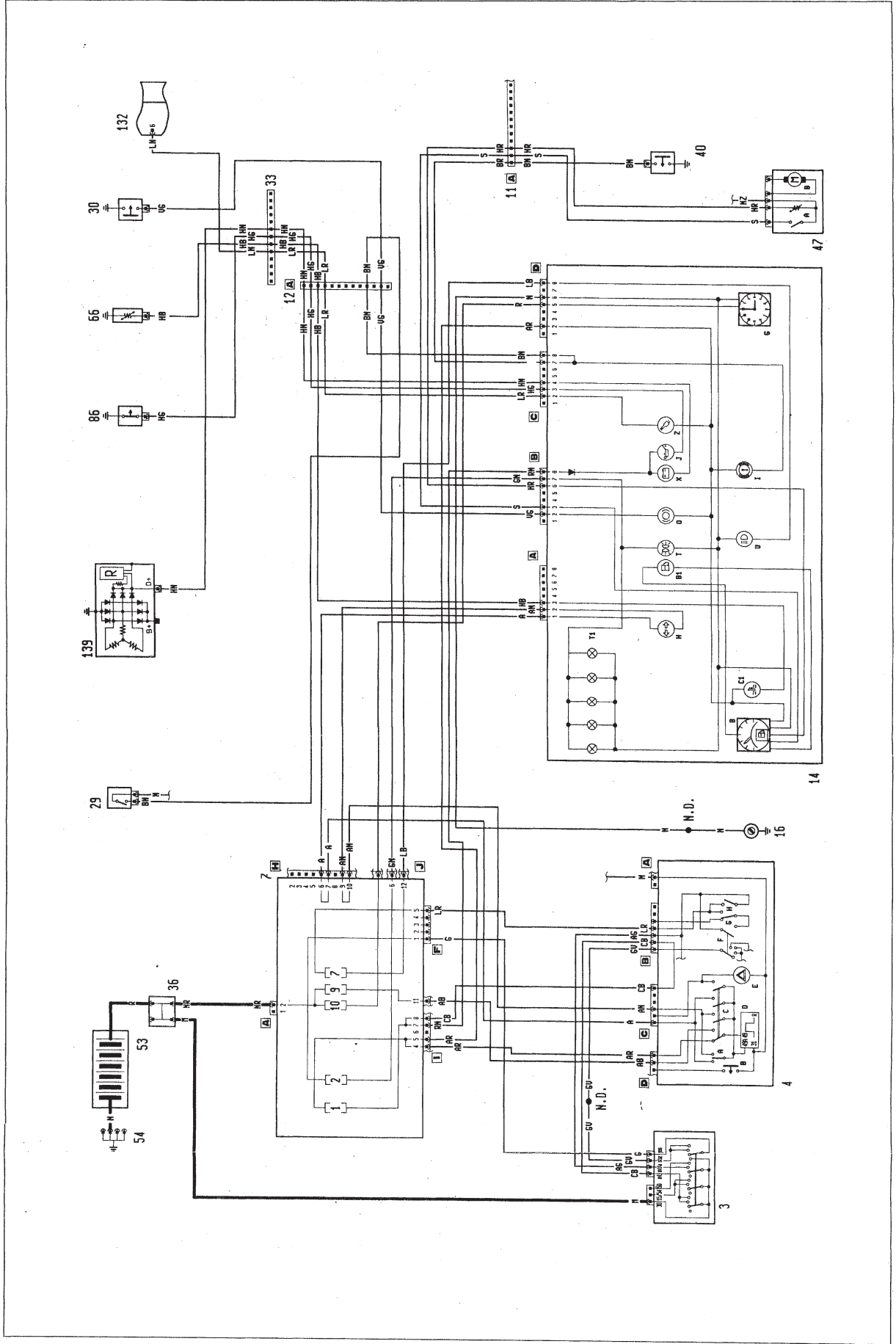
* See direction indicators wiring diagram
 ** Not present on 3-door versions

* Variant connections for E-pack versions
 ■ E-pack versions only

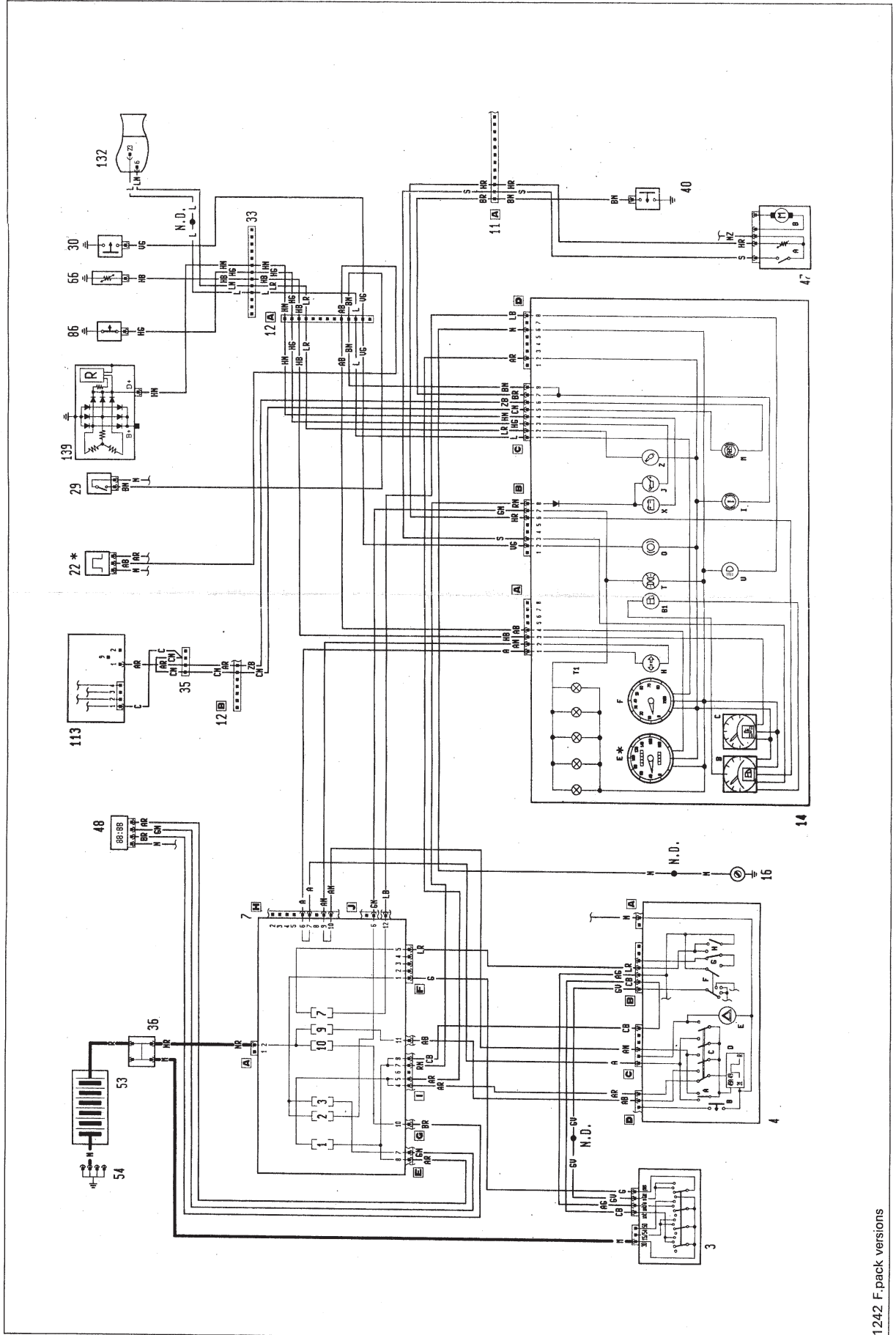
▲▲ See central door locking diagram
 ■■ See starting system diagram

55.

Petrol version: F
Instrument panel connections - (see key following diagrams)

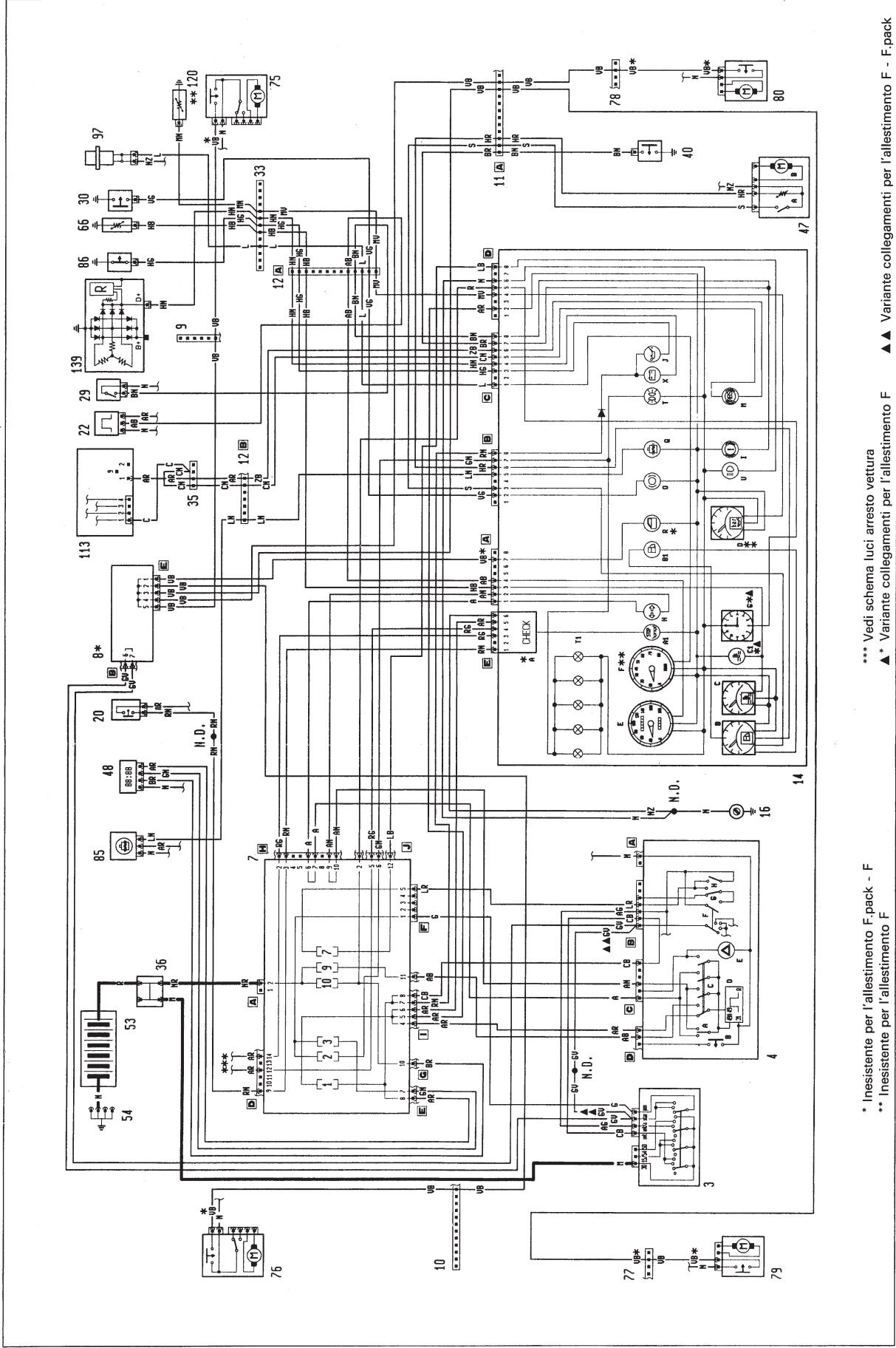


Petrol version: F-pack - E
Instrument panel connections - (see key following diagrams)



55.

Versione: TD
Collegamenti quadro strumenti - (vedi legenda fondo schemi)

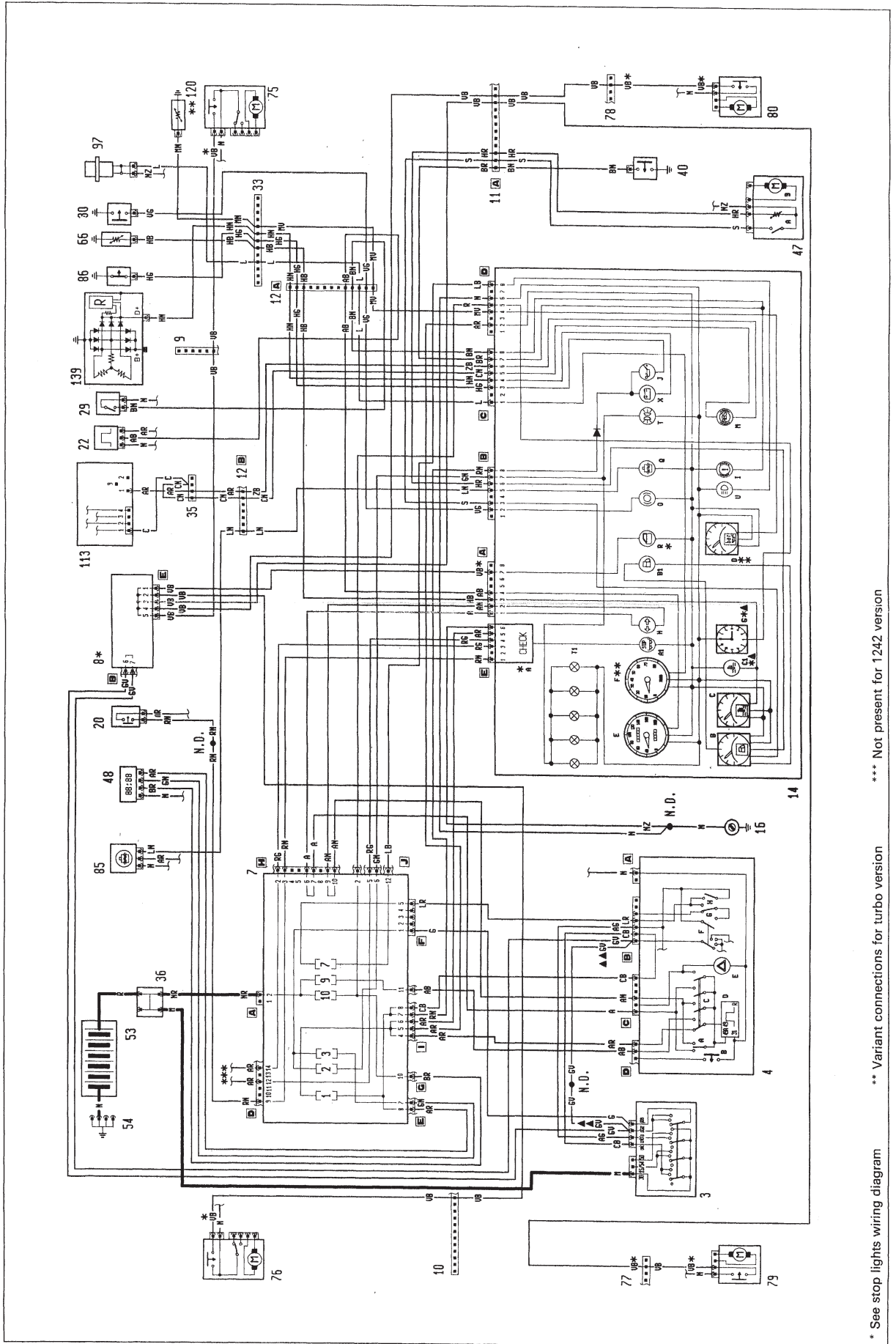


* Inesistente per l'allestimento F-pack - F
** Inesistente per l'allestimento F

*** Vedi schema luci arresto vettura

▲ Variante collegamenti per l'allestimento F ▲ Variante collegamenti per l'allestimento F - F-pack

Petrol version: E.pack - 1372 MPI turbo
Instrument panel connections - (see key following diagrams)



* See stop lights wiring diagram

** Variant connections for turbo version

*** Not present for 1242 version

Key to wiring diagrams

- 1 Front right button controlling courtesy light and indicating open door
- 2 Front left button controlling courtesy light and indicating open door
- 3 Ignition switch
- 4 Stalk unit:
 - A Direction indicators switch
 - B Horn button
 - C Hazard warning lights switch
 - D Direction indicators/hazard lights timer
 - E Hazard warning lights warning lamp
 - F Side lights/dipped beam headlights switch
 - G Dipped beam/main beam headlights switch
 - H Main beam headlights button
 - I Rear window wiper switch
 - L Windscreen washer/rear window wiper and headlamp washer button
 - M Windscreen wiper switch
 - N Volume increase control button (on steering wheel)
 - O Volume reduction control button (on steering wheel)
 - P Programme selection control button (on steering wheel)
 - Q Band selection control button (on steering wheel)
- 5 Front right side repeater
- 6 Front left side repeater
- 7 Junction unit:
 - E1 Switch discharge connector
 - E2 Horn relay
 - E3 Heated rear window relay
 - Optional devices control unit:
 - E1 Central door locking system control unit
 - E2 Control unit for electric front windows
 - E3 Power relay (sunroof)
 - E4 Relay controlling dipped beam headlights/headlamp adjuster
 - E5 Front fog lamps control unit
 - E6 Relay controlling rear fog lamps with front fog lamps on
- 9 Connection between dashboard cables and front door, passenger side
- 10 Connection between dashboard cables and front door, driver's side
- 11 Dashboard cables/rear cables connection
- 12 Dashboard cables/front cables connection
- 13 Cigar lighter
- 14 Instrument panel:
 - A Check panel module
 - A1 Stop lights fault warning lamp
 - B Fuel gauge
 - B1 Fuel reserve warning light
 - C Engine coolant temperature gauge
 - C1 Maximum engine coolant temperature warning light
 - D Engine oil pressure gauge
 - E Speedometer
 - F Rev counter
 - G Clock
 - H Direction indicators warning light
 - I Handbrake warning light

- J Insufficient engine oil pressure warning light
- K Insufficient brake fluid level warning light
- M Anti-lock braking system fault warning light
- N Maximum turbocharging pressure warning light
- O Brake pad wear warning light
- Q Warning light indicating presence of water in fuel filter
- R Warning light indicating doors open
- S Heater plugs warning light
- T Side lights warning light
- T1 Symbol illumination bulbs
- U Main beam headlights warning light
- V Automatic transmission fault warning light
- Z Fuel injection fault warning light
- X Insufficient alternator recharging warning light
- Y AIR BAG circuit fault warning light
- 15 Control switch assembly:
 - A Heated rear window switch
 - B Heated rear window warning light
 - C Symbol illumination on control switch unit
 - D Rear fog lamps warning light
 - E Rear fog lamps switch
 - F Front fog lamps warning light
 - G Front fog lamps control switch
- 15A Switch panel:
 - A LED indicating fault in activation of anti-theft device
- 16 Left dashboard earth
- 17 Right dashboard earth
- 18 Windscreen wiper motor with intermittent device incorporated
- 19 Windscreen/rear window washer pump
- 20 Stop lights switch
- 21 Reversing lights switch
- 22 Pulse generator for speedometer signal
- 23 Front right light cluster
- 24 Front left light cluster
- 25 Front right fog lamp
- 26 Front left fog lamp
- 27 Right horn
- 28 Left horn
- 29 Low brake fluid level sensor
- 30 Front left brake pad wear sensor
- 31 10A fuse protecting anti-lock braking system
- 32 Anti-lock braking system cable connection
- 33 Front cables connection
- 33A Connection between front cables and automatic transmission
- 34 Front cables connection
- 35 Connection between front cables and anti-lock braking system cables
- 36 Connector block
- 37 Heater controls assembly:
 - A Car interior climate control electric fan
 - B Car interior speed control switch
 - C Heater controls light bulbs
- 38 Front right earth
- 39 Front left earth
- 40 Hand brake warning light switch

- 41 Right number plate light
- 42 Left number plate light
- 43 Rear right lights cluster
- 44 Rear left lights cluster
- 45 Car interior courtesy light
- 46 Luggage compartment light bulb
- 47A Fuel sender unit
- 47B Electric fuel pump
- 48 Digital clock
- 49 Door lock remote control receiver
- 49A Anti-theft device remote control receiver
- 50 Rear cables connection
- 51 Rear left earth
- 52 Rear right earth
- 53 Battery
- 54 Battery earth
- 55 Heated rear window
- 56 Rear window wiper motor
- 57 Car radio
- 58 Loudspeaker on front right door
- 59 Loudspeaker on front left door
- 60 Rear right loudspeaker
- 61 Rear left loudspeaker
- 62 Front left loudspeaker
- 63 Front right loudspeaker
- 64 Engine cooling electric fan
- 65 Thermal switch controlling engine cooling electric fan
- 66 Engine coolant temperature gauge sensor
- 67 Headlamp adjuster control unit
- 68 Left headlamp adjustment motor
- 69 Right headlamp adjustment motor
- 70 Front electric window, driver's side
- 71 Front electric window, passenger's side
- 72 Front left electric window control pushbutton assembly, driver's side
- 73 Front right electric window control pushbutton assembly, driver's side
- 74 Front right electric window control pushbutton assembly, passenger side
- 75 Front right door locking motor and door open indicator
- 76 Front left door locking motor and door open indicator
- 77 Connection between rear cables and rear left door
- 78 Connection between rear cables and rear right door
- 79 Rear left door locking motor and door open indicator
- 80 Rear right door locking motor and door open indicator
- 81 Electrically-operated sunroof end-of-travel control switch
- 82 Electrically-operated sunroof motor
- 83 Electrically-operated sunroof electronic control unit
- 84 Electrically-operated sunroof control switch
- 85 Sensor for indicator of water presence in fuel filter
- 86 Insufficient oil pressure warning light switch
- 87 30A fuse protecting engine cooling electric fan
- 88 Fuse 30A fuse protecting air conditioning system
- 89 Engine cooling electric fan

- 90 Resistor for regulating engine cooling electric fan speed
- 91 Fuse and relay carrier block for air conditioner:
 - A Timer for activating engine cooling fan 2nd speed
 - B Relay for activating engine cooling fan 1st speed
 - C Relay for activating engine cooling fan 2nd speed
 - D Auxiliary relay for activating compressor coupling
 - E Relay for switching on compressor coupling
 - F 3A fuse protecting circuit for electric fan 2nd speed
 - G 7.5A fuse protecting compressor electromagnetic coupling
- 92 Three-stage pressure-switch for air conditioner
- 93 Double-contact thermal switch on radiator
- 94 Compressor for air conditioner
- 95 Electronic control unit for air conditioning system (Nippondenso)
- 96 Evaporator zone temperature sensor
- 97 Rpm sensor
- 98 Compressor switch-off control unit (Bitron)
- 99 Switch for activating air conditioning system
- 100 Relay for controlling air conditioning system electric fan
- 101 Relay for switching on electric fan 1st speed
- 102 Switch for controlling air conditioning system electric fan
- 103 Additional resistor
- 104 Air conditioning system electric fan
- 105 Headlamp washer pump
- 107 Headlamp washer timer
- 108 AIR BAG projection charge (driver's side)
- 109 AIR BAG system cables connection
- 110 AIR BAG electronic control unit
- 111 AIR BAG projection charge (passenger's side)
- 112 Diagnostic socket for AIR BAG system
- 113 Anti-lock braking system electronic control unit (A.B.S.)
- 114 Diagnostic socket for anti-lock braking system
- 115 Sensor on front left wheel (A.B.S.)
- 116 Sensor on front right wheel (A.B.S.)
- 117 Sensor on rear left wheel (A.B.S.)
- 118 Sensor on rear right wheel (A.B.S.)
- 119 BOSCH (1372 Turbo i.e.) electronic fuel injection control unit
- 120 Sensor controlling engine oil pressure gauge
- 121 Cable connection for electrically-operated sunroof
- 122 5A fuse protection fuel injection system (10A for Turbo i.e. version)
- 123 25A fuse protection fuel injection pump, Lambda probe and fuel injectors (20A for 1108,1242 versions)
- 124 Multiple relay
- 125 Heated Lambda probe
- 126 Potentiometer on throttle valve
- 127 Water temperature sensor
- 128 Air temperature sensor
- 129 Absolute pressure sensor
- 130 Earth on engine
- 131 Earth on control unit

List of fuses in junction unit 7 and their ratings

- 132 I.A.W. electronic ignition and fuel injection control unit
- 133 Ignition coils assembly
- 134 Spark plugs
- 135 Stepper actuator
- 136 Canister solenoid
- 137 Rpm and TDC sensor
- 138 Fuel injection diagnostic socket
- 139 Alternator
- 140 Starter motor
- 141 Fuel injector
- 142 Switch for controlling recycling of car interior air
- 143 Car interior air recycling actuator
- 144 Car interior air recycling control
- 145 Air conditioner / heater controls illumination bulbs
- 146 Left electrically-adjustable and heated exterior rearview mirror
- 147 Right electrically-adjustable and heated exterior rearview mirror
- 148 Electrically-adjustable exterior rearview mirror pushbutton assembly
- 150 20A fuse for protecting headlamp washer system
- 151 Dipped beam headlamps / headlamp adjuster control relay
- 152 Front fog lamps relay
- 153 Relay controlling rear fog lamps with front fog lamps on
- 154 20A fuse protecting front fog lamps
- 155 Electronic control unit for front electric windows
- 156 30A fuse for protecting electric front windows
- 157 Central door locking system electronic control unit
- 158 20A fuse protecting central door locking system
- 159 Inertial switch for switching off electric fuel pump
- 160 Driver's heated seat control unit
- 161 Driver's seat heating pad
- 162 Air conditioner cable connection
- 163 Front cables connection
- 164 Front cables connection
- 165 Air Bag cables connection
- 166 Anti-theft device electronic control unit
- 167 Diagnostic socket (anti-theft device)
- 168 Anti-theft device cable connection
- 169 Anti-theft device cable connection
- 170 Anti-theft device cable connection
- 171 Button on bonnet for switching on anti-theft device
- 172 Magnetic sensor on clutch
- 173 Solenoid for indication of engine oil pressure
- 174 15A fuse protecting automatic transmission
- 175 Relay for controlling automatic transmission
- 176 Display for illuminating gear selector and indicating selected gears
- 177 Car speed sensor
- 178 Safety electronic control unit for automatic transmission
- 179 Shift-lock solenoid
- 180 Ignition switch solenoid
- 181 Electronic control unit for automatic transmission
- 182 Diagnostic socket for automatic transmission
- 183 Switch on accelerator pedal for automatic transmission

- Fuse 1 15A
- Fuse 2 10A
- Fuse 3 10A
- Fuse 4 10A
- Fuse 5 10A
- Fuse 6 10A
- Fuse 7 10A
- Fuse 8 10A
- Fuse 9 10A
- Fuse 10 15A
- Fuse 11 20A
- Fuse 12 20A
- Fuse 13 20A
- Fuse 14 20A
- Fuse 15 20A

List of fuses in junction unit (optionals) 8 and their ratings

- 184 Switch on accelerator pedal for automatic transmission
- 185 Multiple bridge cable connection
- 186 Multi-function switch on automatic transmission
- 187 Butterfly valve potentiometer for automatic transmission
- 188 Power module
- 189 Pierburg (Wastegate) solenoid
- 190 Idle adjustment actuator
- 191 Switch controlling fuel injector cooling electric fan
- 192 Front cables connection
- 193 Fuel injection control relay
- 194 Relay controlling Lambda probe, electric fuel pump
- 195 10A fuse for protection of electric fuel pump
- 196 10A fuse for protecting Lambda probe
- 197 Timing sensor
- 198 Knock sensor
- 199 Height adjuster
- 200 Signal earth
- 201 Power earth
- 202 Air flow meter
- 203 Fuel injector cooling fan
- 204 20A fuse for protecting injector cooling system
- 205 Electronic control unit controlling heater plug preheating
- 206 Heater plugs
- 207 K.S.B. water temperature sensor
- 208 K.S.B. solenoid
- 209 Fuel injection pump solenoid
- 210 Switch for indication of turbocharger maximum pressure
- 211 Switch for controlling luggage compartment lighting and switching on anti-theft device
- 212 Emergency switch for switching off anti-theft device (key)
- 213 Full load switch for air conditioner
- 214 Thermal switch for compressor on air conditioner
- 215 Relay for controlling heated fuel filter device
- 216 20A fuse for protection of heated fuel filter
- 217 Heated fuel filter system (P.T.C.)
- 218 Relay for controlling fuel injection system (Turbo Diesel)
- 219 Timer for activating engine cooling fan 2nd speed
- 220 Timer for activating engine cooling fan 2nd speed
- 221 Timer for activating engine cooling fan 1st speed
- 222 Relay for switching on compressor coupling
- 223 3A fuse for protecting circuit of engine cooling fan 2nd speed
- 224 7.5A fuse for protecting compressor electromagnetic coupling
- 225 Air conditioner front cables connection
- 226 Electronic control unit for emission control device (E.G.R.)
- 227 Potentiometer on fuel injection pump
- 228 Water temperature sensor (E.G.R.)
- 229 Solenoid for E.G.R. device
- 230 Diagnostic socket for E.G.R. device

- Fuse 1 30A
- Fuse 2 20A
- Fuse 3 20A
- Fuse 4 20A
- Fuse 5 30A
- Fuse 6 30A